

PARTS LIST

[RC-BZ5LB/BZ5RD]
[RC-BZ6BU]

* All printed circuit boards and its assemblies are not available as service parts.

Areas suffix	
J	U.S.A.
C	Canada

- Contents - [RC-BZ5LB/BZ5RD]

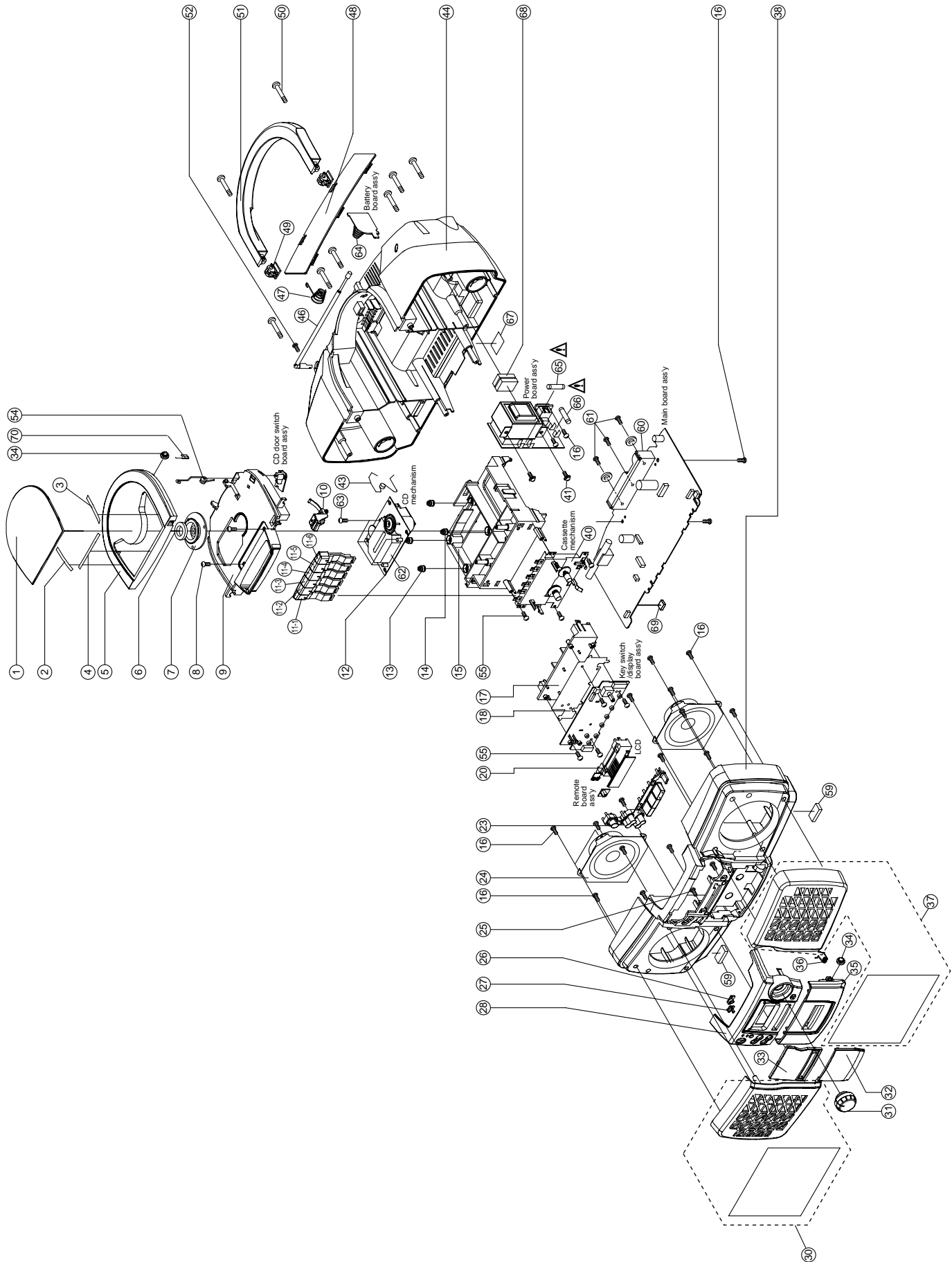
Exploded view of general assembly and parts list	3-2
Cassette mechanism assembly and parts list	3-4
CD mechanism assembly and parts list	3-6
Electrical Parts List	3-7
Packing materials and accessories parts list	3-13

- Contents - [RC-BZ6BU]

Exploded view of general assembly and parts list	3-14
Cassette mechanism assembly and parts list	3-16
CD mechanism assembly and parts list	3-18
Electrical Parts List	3-19
Packing materials and accessories parts list	3-25

Exploded view of general assembly and parts list

Block No. M 1 M M



■ Parts list (General assembly)

Block No. M1MM

△	Item	Parts number	Parts name	Q'ty	Description	Area
	1	GJ460340210101	LENS CD DOOR	1	RC-BZ5LB	
		GJ460340500101	LENS CD DOOR	1	RC-BZ5RD	
	2	GJ670000010330	D.SPACER	1	65X3.5	
	3	GJ670000010340	D.SPACER	1	65X3.5	
	4	GJ670000010350	D.SPACER	1	110-3.0	
	5	GJ460340120101	DOOR CD	1		
	6	VYH7313-005	MAGNET	1		
	7	LV30175-001A	CLAMPER	1		
	8	GJ702224301242	SCREW TT3X12	2	FOR CD CASE	
	9	GJ460340160101	CD CASE	1		
	10	GJ460340020101	BUTTON	1	OPEN	
	11-1	GJ460340040101	BUTTON(A)MECHA.	1	PAUSE	
	11-2	GJ460340050101	BUTTON(B)MECHA.	1	STOP	
	11-3	GJ460340060101	BUTTON(C)MECHA.	1	FF	
	11-4	GJ460340070101	BUTTON(D)MECHA.	1	REW	
	11-5	GJ460340080101	BUTTON(E)MECHA.	1	PLAY	
	11-6	GJ460340090101	BUTTON(F)MECHA.	1	REC	
	12	-----	CD UNIT EXL-M7B	1	GJA1005002001C	
	13	E75609-001	INSULATOR	2	CD MECHA RED	
	14	E75609-002	INSULATOR	2	CD MECHA PURPLE	
	15	GJ460340170101	HOLDER CD	1		
	16	GJ702244301012	SCREW TT3X10	20	SPEAKE/MAIN PCB	
	17	GJ460340200101	HOLDER	1	CONTROL BOARD	
	18	GJ781000090101	SHIELD PLATE	1		
	20	GJ460340270101	HOLDER (1)LCD	1		
	23	GJ460340230101	FUNCTION KNOB	1		
	24	LE10010-005A	SPEAKER	2		
	25	GJ702244260812	SCREW TT2.6X8	2	COVER-FRONT	
	26	GJ460340030101	LENS	1	REMOTE SENSOR	
	27	GJ460340260101	LENS	1	LED	
	28	GJ460340400101	FRONT COVER	1		
	30	GJ0001-SPGR	SPEAKER GRILLE	1	SHILD, RC-BZ5RD	
		GJ0003-SPGR	SPEAKER GRILLE	1	SHILD, RC-BZ5LB	
	31	GJ460340250101	VOLUME KNOB	1		
	32	GJ460340490101	C.DOOR LENS	1	RC-BZ5RD	
		GJ460340190101	C.DOOR LENS	1	RC-BZ5LB	
	33	GJ460340220101	FRONT LENS	1	RC-BZ5LB	
		GJ460340480101	FRONT LENS	1	RC-BZ5RD	
	34	VYH8007-001	GEAR	2	DOOR	
	35	GJ460340180101	CASSETTE DOOR	1		
	36	LV40210-001A	DOOR SPRING	1		
	37	GJ0002-SPGR	SPEAKER GRILLE	1	SHILD, RC-BZ5RD	
		GJ0004-SPGR	SPEAKER GRILLE	1	SHILD, RC-BZ5LB	
	38	GJ460340010101	FRONT CABINET	1		
	40	-----	DECK MECHANISM	1	TN-21ZVC-1800	
	41	GJ702264301412	SCREW TT3X14	2		
	43	GJ711001340101	SPRING	1	ANT CONTACT	
	44	GJ460340100101	REAR CABINET	1		

■ Parts list (General assembly)

Block No. M1MM

△	Item	Parts number	Parts name	Q'ty	Description	Area
	46	TA46174	T.PICK ANTENNA	1		
	47	VYH5657-006	BATTERY SPRING	1	SIZE D	
	48	LV20082-001A	BATTERY COVER	1		
	49	VYH8008-001	HANDLE SUPPORT	2		
	50	GJ702244304512	SCREW TT3X45	8		
	51	GJ460340150101	HANDLE	1		
	52	GJ701224300852	SCREW M3X8	1	T. ANTENNA	
	54	GJ711001330201	SPRING	1		
	55	GJ702244300812	SCREW TT3X8	8	DECK/KEY P.C.B.	
	59	GJ782000090101	FOOT RUBBER	2		
	60	LV30176-001A	HEAT SINK	1		
	61	QYSDSF3008Z	SCREW	3	HEAT SINK	
	62	202-300002-00	CD COVER PLATE	1		
	63	GJ702224200642	SCREW TT2X6	4	CD COVER	
	64	VYH5483-001	BATTERY SPRING	1		
△	65	QMF51N2-3R0-J1	FUSE	1	3A 125V F902	
△	66	QMF51N2-3R0-J1	FUSE	1	3A 125V F903	
	67	GJ560340150101	NAME PLATE	1	RC-BZ5LB	J,C
		GJ560340070101	NAME PLATE	1	RC-BZ5RD	J,C
	68	GJ782000090101	RUBBER SPACER	1		
	69	GJ761000200100	SPACER	1		
	70	GJ500340240101	GEAR SPRING	1	CD DAMP	

■ Parts list (Cassette mechanism assembly)

Block No. M2MM

△	Item	Parts number	Parts name	Q'ty	Description	Area
	1	192114316T	BASE ASSY	1		
	2	19211409T	SWITCH ACTUATOR	1		
	3	19211408T	LOCK CAM	1		
	4	19211403T	REC BUTT.LEVER	1		
	5	19211419T	PLAY BUTT.LEVER	1		
	6	19211404T	REW BUTT. LEVER	1		
	7	19211405T	FF BUTTON LEVER	1		
	8	19211406T	STOP BUTT.LEVER	1		
	9	19211460T	PAUSE BUT.LEVER	1		
	10	19211413AT	SPRING	1	PAUSE LEVER	
	11	19211455T	PAUSE LEVER (E)	1		
	12	19211412T	SPRING	1	PAUSE LEVER	
	13	19211411T	PAUSE STOPPER	1		
	14	19211414T	TORSION SPRING	1		
	15	192101501T	CHASSIS ASS'Y	1		
	16	19211416T	TORSION SPRING	1		
	17	19211417T	TORSION SPRING	1		
	19	182101159T	E.KICK LEVER	1		
	20	19211420T	STOPPER	1		
	21	19211421T	TORSION SPRING	1	REC BUTTON	
	22	19211415T	TORSION SPRING	1	BUTTON LEVER	
	23	MSW-1541T	LEAF SWITCH	1	MSW-1541T	
	24	18210150T	TENSION SPRING	1	PLAY BUTTON	
	25	19210311T	HEAD PANEL	1		
	26	19210304AT	HEAD BASE	1		
	27	19210309T	PANEL P SPRING	1		
	28	19210305T	MAGNET HEAD ARM	1		
	29	18210307T	AZIMUTH SPRING	1	AZIMUTH	
	30	19211418AT	SPRING	1	M CONTROL	
	31	19210310T	MG ARM SPRING	1	MG ARM	
	32	192104309T	P.ROLLER ARM	1		
	35	19212604AT	SENSING LEVER	1		
	36	19212605T	TORSION SPRING	1	GEAR PLATE	
	37	192126502T	GEAR PLATE	1		
	38	19212602T	CAM GEAR	1		
	40	192107304T	R.F.CLUTCH	1		
	41	19210703T	REW/F.F. BELT	1		
	43	192109303T	FLYWHEEL ASSY	1		
	45	18211070T	F.FORWARD GEAR	1		
	46	18211099T	BACK TENSION SP	1		
	47	192105304T	S. REEL ASS'Y	1		
	48	192105303T	T. REEL ASS'Y	1		
	49	19210506T	SENSOR	1		
	51	18211289AT	MOTOR BRACKET	1		
	53	19211202T	COLLAR SCREW	2	SP MOTOR 3X6	
	54	19211201T	MOTOR PULLEY	1		
	55	19210904T	MAIN BELT	1		
	56	19211203T	MB SCREW	1	SP M B 2X	

■ Parts list (Cassette mechanism assembly)

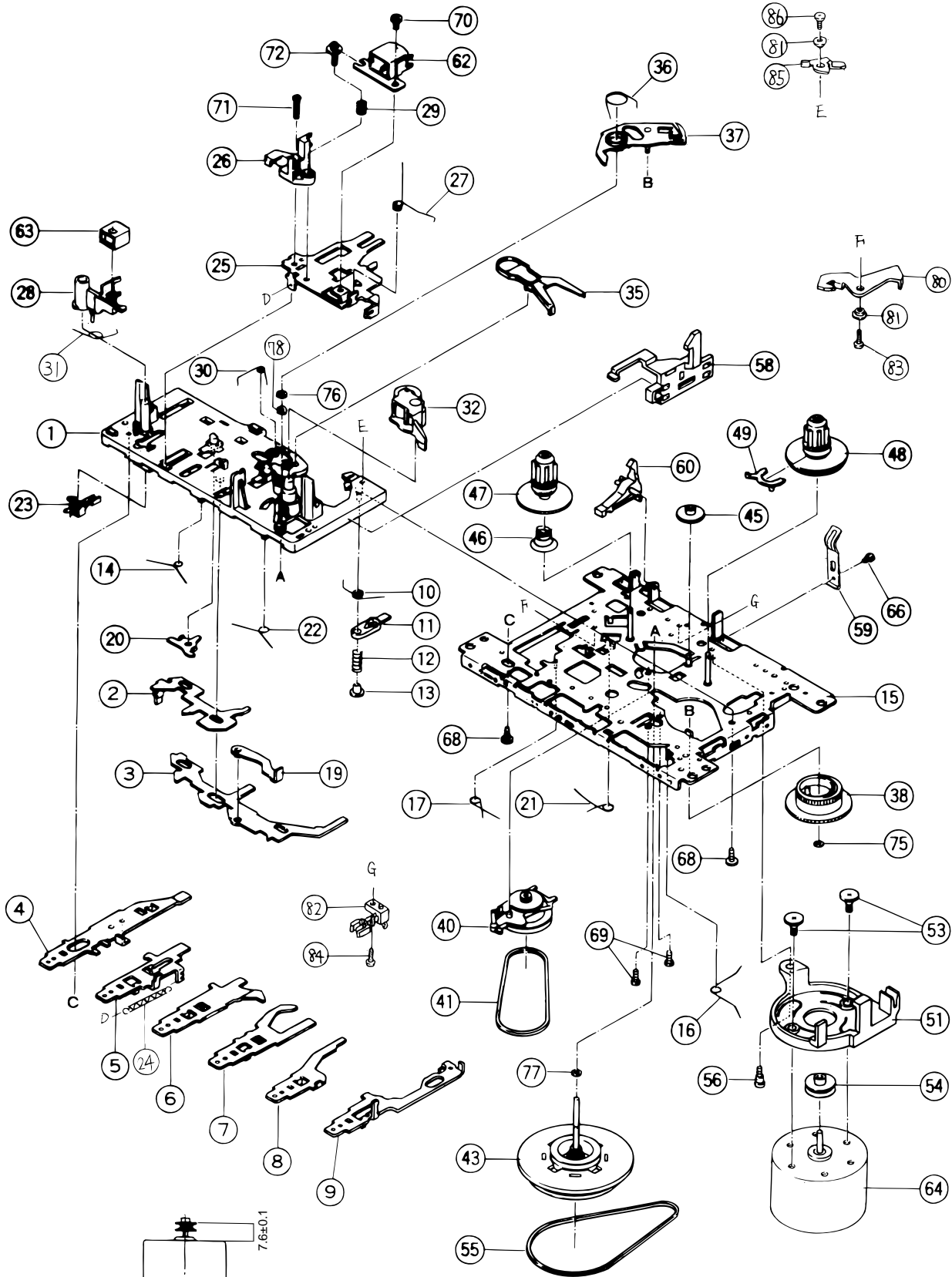
Block No. M2MM

△	Item	Parts number	Parts name	Q'ty	Description	Area
	58	19211301T	EJ. SLIDE LEVER	1		
	59	18211093T	PACK SPRING	1		
	60	18211069T	REC.SAF.LEVER	1		
	62	MS15R-AA2N1	R/P HEAD	1		
	63	PH-K380-MS1-6A	ERASE HEAD	1		
	64	60020217T	MOTOR	1		
	66	9P0420031T	TAPPING SCREW	1	PACK SPRING	
	68	9B1020051T	TAPPING SCREW	2	(M2 X 5)	
	69	9C0720451T	TAPPING SCREW	2	(M2 X 4.5)	
	70	9B0120031T	SCREW(+)BIND	1	(M2 X 3)	
	71	9P0120061T	SCREW	1	(M2 X 6)	
	72	9F0820071T	SCREW AZIMUTH	1	(M2 X 7)	
	75	9W0230010T	P.CUT WASHER	1	(12X3.8X0.3)	
	76	9W0250010T	P.CUT WASHER	1	(1.45X3.8X0.5)	
	77	9W0140010T	P.CUT WASHER	1	(2X3.5X0.4)	
	78	9W0113020T	P.CUT WASHER	1	(2X3.5X0.4)	
	80	19210201T	REC ARM	1		
	81	19211437T	P ARM COLLAR	2		
	82	64010138T	LEAF SWITCH	1		
	83	9P0420041T	SCREW	1	(M2 X 4)	
	84	9P0420051T	SCREW	1	(M2 X 5)	
	85	19211434T	P.ROLLER ARM	1		
	86	9P0820301T	TAPPING SCREW	1	(M2 X 3)	

Cassette mechanism assembly and parts list

TN-21ZVC-1800

Block No. M 2 M M



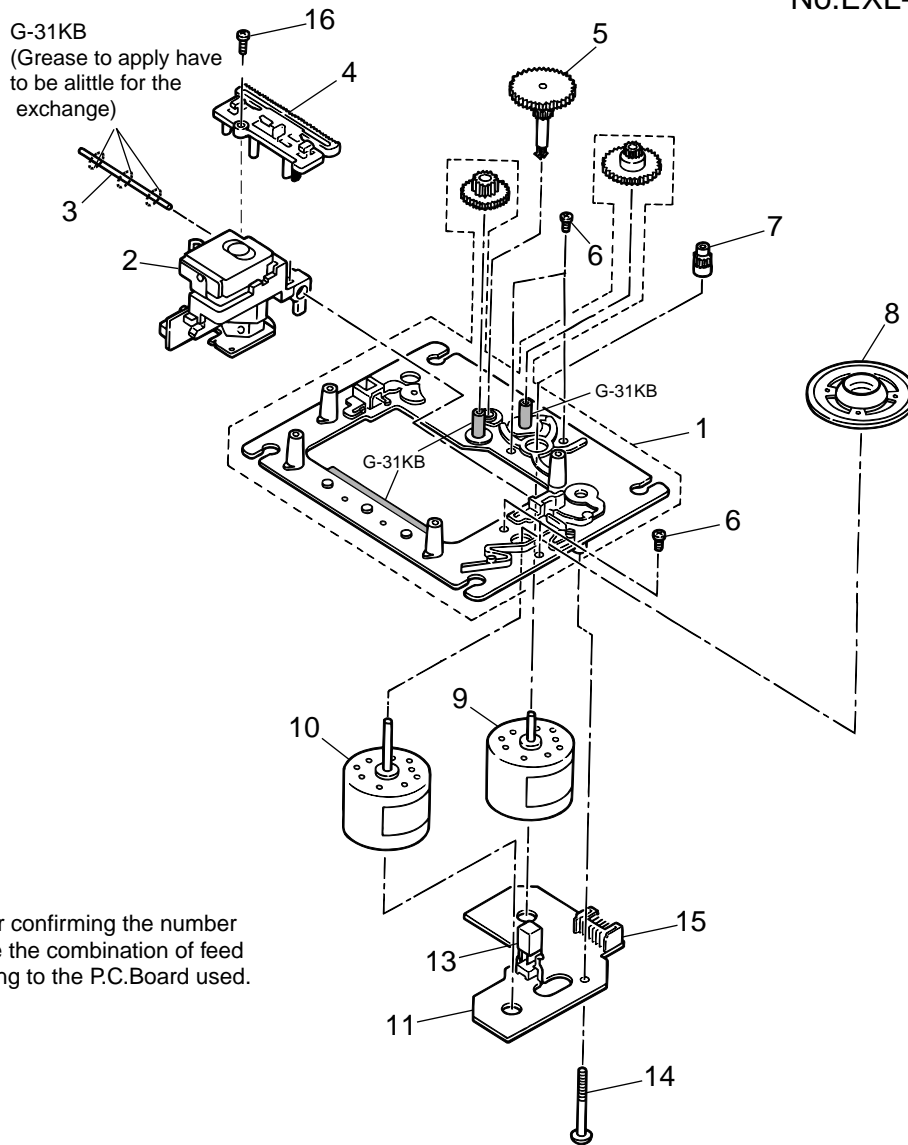
Pulley high dimension 7.6±0.1

CD mechanism assembly and parts list

■ Grease Point

Block No. M 3 M M

No.EXL-M7B



NOTE

Please order motor after confirming the number of the P.C.Board because the combination of feed motor is different according to the P.C.Board used.

■ Parts list (CD mechanism assembly)

Block No. M3MM

Item	Parts number	Parts name	Q'ty	Description	Area
1	GJ560280020101	MECHA BASE	1		
2	OPTIMA-7B	CD PICK UP	1		
3	E407782-001	PICK STAFT	1		
4	E307746-001	CD RACK GEAR	1	GEAR SHAFT	
5	GJ560280010101	MECHA GEAR	1		
6	GJ50312003102	SCREW MZX3 B/H	4		
7	E406750-001	PINION GEAR	1		
8	GJA2062001001C	CD TURN TABLE	1		
9	GJ90028678400	FEED MOTOR	1		
10	GJ90028678300	SPINDLE MOTOR	1		
11	GJ100069000100	MECH CIR BOARD	1		
13	GJ157208512	LEAF SWITCH	1		
14	GJ50322623312	SPECIAL SCREW	1		
15	GJ51206010101	6P PLUG ASSY	1		
16	SDSF2006Z	SCREW	1		

■ Electrical parts list (Main board)

Block No. 01

△	Item	Parts number	Parts name	Remarks	Area	△	Item	Parts number	Parts name	Remarks	Area
C 3		GJ264130392101	C.CAPACITOR	50V SL K 3.9PF		C 203		GJ270122260332	E.CAPACITOR	16V M 22UF	
C 6		GJ264271032101	C.CAPACITOR	16V Y M 0.01UF		C 204		GJ282033932415	M.CAPACITOR	FILM 50V J 0.03	
C 7		GJ264141022101	C.CAPACITOR	50V B K 1000PF		C 205		GJ270193350332	E.CAPACITOR	50V M 3.3UF	
C 9		GJ264031202101	A.CAPACITOR	50V SL J 12PF		C 207		GJ270194750332	E.CAPACITOR	50V VX M 4.7UF	
C 13		GJ262102232402	C.CAPACITOR	25V YR K 0.022U		C 208		GJ270191050332	E.CAPACITOR	50V M 1UF	
C 16		GJ264271032101	C.CAPACITOR	16V Y M 0.01UF		C 214		GJ270194750332	E.CAPACITOR	50V VX M 4.7UF	
C 21		GJ262104732402	C.CAPACITOR	25V YR K 0.047U		C 219		GJ270194740332	E.CAPACITOR	50V M 0.47UF	
C 22		GJ285214312415	M.CAPACITOR	PP 100V J 430PF		C 220		GJ270121070332	E.CAPACITOR	100UF 16V VX M	
C 23		GJ264081202101	C.CAPACITOR	50V CH J 12PF		C 221		GJ264142212101	C.CAPACITOR	50V B K 220PF	
C 31		GJ264141022101	C.CAPACITOR	50V B K 1000PF		C 222		GJ270121070332	E.CAPACITOR	100UF 16V VX M	
C 32		GJ264271032101	C.CAPACITOR	16V Y M 0.01UF		C 223		GJ270121080132	E.CAPACITOR	1000UF16V VX	
C 33		GJ270111070332	E.CAPACITOR	10V M 100UF		C 224		GJ283101042432	M.CAPACITOR	POLY FILM 50V K	
C 35		GJ270191040332	E.CAPACITOR	50V M 0.1UF		C 230		GJ260772212412	C.CAPACITOR	50V SL J 220PF	
C 36		GJ270194750332	E.CAPACITOR	50V VX M 4.7UF		C 232		GJ270194740332	E.CAPACITOR	50V M 0.47UF	
C 37		GJ264141022101	C.CAPACITOR	50V B K 1000PF		C 233		GJ270114760332	E.CAPACITOR	10V M 47UF	
C 38		GJ264271032101	C.CAPACITOR	16V Y M 0.01UF		C 255		GJ264141812101	C.CAPACITOR	50V B K 180PF	
C 40		GJ264271032101	C.CAPACITOR	16V Y M 0.01UF		C 256		GJ283108222432	M.CAPACITOR	POLY FILM 50V K	
C 41		GJ270194750332	E.CAPACITOR	50V VX M 4.7UF		C 257		GJ283101542432	M.CAPACITOR	POLY FILM 50V K	
C 42		GJ262104732402	C.CAPACITOR	25V YR K 0.047U		C 303		GJ260771512412	C.CAPACITOR	50V SL J 150PF	
C 43		GJ270191040332	E.CAPACITOR	50V M 0.1UF		C 304		GJ270114760332	E.CAPACITOR	10V M 47UF	
C 44		GJ270191050332	E.CAPACITOR	50V M 1UF		C 305		GJ270122260332	E.CAPACITOR	16V M 22UF	
C 45		GJ270191040332	E.CAPACITOR	50V M 0.1UF		C 306		GJ270114760332	E.CAPACITOR	10V M 47UF	
C 47		GJ262101532402	C.CAPACITOR	25V YR K 0.015U		C 308		GJ260771812412	C.CAPACITOR	50V SL J 180PF	
C 48		GJ262101532402	C.CAPACITOR	25V YR K 0.015U		C 309		GJ264261822101	C.CAPACITOR	16V X M 0.0018U	
C 49		GJ270191040332	E.CAPACITOR	50V M 0.1UF		C 310		GJ283101822432	M.CAPACITOR	POLY FILM 50V K	
C 50		GJ270191040332	E.CAPACITOR	50V M 0.1UF		C 312		GJ283106822432	M.CAPACITOR	POLY FILM 50V K	
C 51		GJ264143312101	C.CAPACITOR	50V B K 330PF		C 313		GJ270114760332	E.CAPACITOR	10V M 47UF	
C 52		GJ264141022101	C.CAPACITOR	50V B K 1000PF		C 315		GJ283104722432	M.CAPACITOR	POLY FILM 50V K	
C 56		GJ264141022101	C.CAPACITOR	50V B K 1000PF		C 318		GJ270143380132	E.CAPACITOR	25V VX M 3300UF	
C 60		GJ264141022101	C.CAPACITOR	50V B K 1000PF		C 319		GJ270141060332	E.CAPACITOR	25V M 10UF	
C 61		GJ270111070332	E.CAPACITOR	10V M 100UF		C 320		GJ270122270332	E.CAPACITOR	16V M 220UF	
C 62		GJ264081202101	C.CAPACITOR	50V CH J 12PF		C 322		GJ264141022101	C.CAPACITOR	50V B K 1000PF	
C 63		GJ264141022101	C.CAPACITOR	50V B K 1000PF		C 331		GJ264141022101	C.CAPACITOR	50V B K 1000PF	
C 64		GJ264081202101	C.CAPACITOR	50V CH J 12PF		C 350		GJ270194750332	E.CAPACITOR	50V VX M 4.7UF	
C 65		GJ264141022101	C.CAPACITOR	50V B K 1000PF		C 353		GJ270121060332	E.CAPACITOR	16V M 10UF	
C 69		GJ264262222101	A.CAPACITOR	16V X M 0.0022U		C 354		GJ270112270332	E.CAPACITOR	10V M 220UF	
C 70		GJ270192250332	E.CAPACITOR	50V M 2.2UF		C 357		GJ270122260332	E.CAPACITOR	16V M 22UF	
C 71		GJ270121060332	E.CAPACITOR	16V M 10UF		C 604		GJ270111070332	E.CAPACITOR	10V M 100UF	
C 77		GJ264141022101	C.CAPACITOR	50V B K 1000PF		C 605		GJ270141060332	E.CAPACITOR	25V M 10UF	
C 98		GJ264141012101	C.CAPACITOR	50V B K 100PF		C 606		GJ264141022101	C.CAPACITOR	50V B K 1000PF	
C 99		GJ264141012101	C.CAPACITOR	50V B K 100PF		C 607		GJ264141022101	C.CAPACITOR	50V B K 1000PF	
C 101		GJ283101022432	M.CAPACITOR	POLY FILM 50V K		C 608		GJ270191050332	E.CAPACITOR	50V M 1UF	
C 102		GJ283105622432	M.CAPACITOR	POLY FILM 50V K		C 609		GJ264141012101	C.CAPACITOR	50V B K 100PF	
C 103		GJ270122260332	E.CAPACITOR	16V M 22UF		C 610		GJ282032732415	M.CAPACITOR	FILM 50V J 0.02	
C 104		GJ282033932415	M.CAPACITOR	FILM 50V J 0.03		C 611		GJ264264722101	A.CAPACITOR	16V X M 0.0047U	
C 105		GJ270193350332	E.CAPACITOR	50V M 3.3UF		C 612		GJ264271032101	C.CAPACITOR	16V Y M 0.01UF	
C 107		GJ270194750332	E.CAPACITOR	50V VX M 4.7UF		C 613		GJ264143312101	C.CAPACITOR	50V B K 330PF	
C 108		GJ270191050332	E.CAPACITOR	50V M 1UF		C 614		GJ282031042415	M.CAPACITOR	FILM 50V J 0.1U	
C 114		GJ270194750332	E.CAPACITOR	50V VX M 4.7UF		C 615		GJ264182232101	C.CAPACITOR	25V F Z 0.022UF	
C 119		GJ270194740332	E.CAPACITOR	50V M 0.47UF		C 616		GJ264182232101	C.CAPACITOR	25V F Z 0.022UF	
C 120		GJ270121070332	E.CAPACITOR	100UF 16V VX M		C 617		GJ264182232101	C.CAPACITOR	25V F Z 0.022UF	
C 121		GJ264142212101	C.CAPACITOR	50V B K 220PF		C 618		GJ264262222101	A.CAPACITOR	16V X M 0.0022U	
C 122		GJ270121070332	E.CAPACITOR	100UF 16V VX M		C 619		GJ264142712101	A.CAPACITOR	50V B K 270PF	
C 123		GJ270121080132	E.CAPACITOR	1000UF16V VX		C 620		GJ264141812101	C.CAPACITOR	50V B K 180PF	
C 124		GJ283101042432	M.CAPACITOR	POLY FILM 50V K		C 622		GJ270114760332	E.CAPACITOR	10V M 47UF	
C 130		GJ260772212412	C.CAPACITOR	50V SL J 220PF		C 623		GJ282031042415	M.CAPACITOR	FILM 50V J 0.1U	
C 132		GJ270194740332	E.CAPACITOR	50V M 0.47UF		C 628		GJ262104732402	C.CAPACITOR	25V YR K 0.047U	
C 133		GJ270114760332	E.CAPACITOR	10V M 47UF		C 629		GJ270111070332	E.CAPACITOR	10V M 100UF	
C 155		GJ264141812101	C.CAPACITOR	50V B K 180PF		C 631		GJ270114770332	E.CAPACITOR	10V M 470UF	
C 156		GJ283108222432	M.CAPACITOR	POLY FILM 50V K		C 632		GJ270111070332	E.CAPACITOR	10V M 100UF	
C 157		GJ283101542432	M.CAPACITOR	POLY FILM 50V K		C 640		GJ264278222101	C.CAPACITOR	16V X M 0.0082U	
C 201		GJ283101022432	M.CAPACITOR	POLY FILM 50V K		C 641		GJ264182232101	C.CAPACITOR	25V F Z 0.022UF	
C 202		GJ283105622432	M.CAPACITOR	POLY FILM 50V K		C 651		GJ264032202101	C.CAPACITOR	50V SL J 22PF	

■ Electrical parts list (Main board)

Block No. 01

△	Item	Parts number	Parts name	Remarks	Area
	C 652	GJ264032202101	C.CAPACITOR	50V SL J 22PF	
	C 653	GJ264182232101	C.CAPACITOR	25V F Z 0.022UF	
	C 655	GJ262104732402	C.CAPACITOR	25V YR K 0.047U	
	C 661	GJ264144712101	C.CAPACITOR	50V B K 470PF	
	C 662	GJ264182232101	C.CAPACITOR	25V F Z 0.022UF	
	C 663	GJ282032232415	M.CAPACITOR	FILM 50V J 0.02	
	C 664	GJ264182232101	C.CAPACITOR	25V F Z 0.022UF	
	C 665	GJ282031042415	M.CAPACITOR	FILM 50V J 0.1U	
	C 671	GJ264262222101	A.CAPACITOR	16V X M 0.0022U	
	C 672	GJ264262222101	A.CAPACITOR	16V X M 0.0022U	
	C 673	GJ270112270332	E.CAPACITOR	10V M 220UF	
	C 674	GJ264182232101	C.CAPACITOR	25V F Z 0.022UF	
	C 675	GJ264141022101	C.CAPACITOR	50V B K 1000PF	
	C 690	GJ264271032101	C.CAPACITOR	16V Y M 0.01UF	
	C 691	GJ264141512101	C.CAPACITOR	50V B K 150PF	
	C 692	GJ264141512101	C.CAPACITOR	50V B K 150PF	
	C 693	GJ264141512101	C.CAPACITOR	50V B K 150PF	
	C 694	GJ264141512101	C.CAPACITOR	50V B K 150PF	
	C 695	GJ264271032101	C.CAPACITOR	16V Y M 0.01UF	
	C 696	GJ264141012101	C.CAPACITOR	50V B K 100PF	
	C 697	GJ264141012101	C.CAPACITOR	50V B K 100PF	
	C 698	GJ264141012101	C.CAPACITOR	50V B K 100PF	
	C 699	GJ264141012101	C.CAPACITOR	50V B K 100PF	
	C 709	GJ270102280132	E.CAPACITOR	6.3V VX M 2200U	
	C 901	GJ262772232412	C.CAPACITOR	50V F Z 0.022UF	
	C 902	GJ262772232412	C.CAPACITOR	50V F Z 0.022UF	
	C 903	GJ262772232412	C.CAPACITOR	50V F Z 0.022UF	
	C 904	GJ262772232412	C.CAPACITOR	50V F Z 0.022UF	
	C 905	GJ264271032101	C.CAPACITOR	16V Y M 0.01UF	
	C 906	GJ264271032101	C.CAPACITOR	16V Y M 0.01UF	
	C 908	GJ264271032101	C.CAPACITOR	16V Y M 0.01UF	
	C 909	GJ270194750332	E.CAPACITOR	50V VX M 4.7UF	
	C 910	GJ270112270332	E.CAPACITOR	10V M 220UF	
	C 911	GJ270122260332	E.CAPACITOR	16V M 22UF	
	C 912	GJ264271032101	C.CAPACITOR	16V Y M 0.01UF	
	C 913	GJ264271032101	C.CAPACITOR	16V Y M 0.01UF	
	C 914	GJ270112270332	E.CAPACITOR	10V M 220UF	
	C 915	GJ270111070332	E.CAPACITOR	10V M 100UF	
	C 916	GJ270114760332	E.CAPACITOR	10V M 47UF	
	CF 1	QAX0403-001	C FILTER	CER FM 10.7M	
	CF 3	QAX0538-001Z	CRYSTAL	CER FM CDA10.7	
	CN301	GJ156450711	CONNECTOR	4PINS ST RED	
	CN303	QGF1212C1-12	FFC CONNECTOR	12PINS	
	CN304	QGF1212C1-17	FFC CONNECTOR	17PINS	
	CN306	TID-X03P-MI	CONNECTOR	3 PINS RA WHIT	
	CN307	5268-03A	CONNECTOR	3PINS RA	
	CN308	GJ156450911	CONNECTOR	6PINS ST WHITE	
	CN309	GJ158016511	TRANSISTOR	4PIN ST WHITE	
	CN310	QGA2501C3-03Z	CONNECTOR IM	GJ156450611	
	CN601	QGF1025C1-15	21-41 CONNECTOR	15PINS	
	D 1	SVC203SPA-JV-T	VARI CAP	GJ310050080104	
	D 2	SVC203SPA-JV-T	VARI CAP	GJ310050080104	
	D 5	1SS133Y	DIODE	GJ871999133	
	D 6	1SS133Y	DIODE	GJ871999133	
	D 8	KV1555N-T	VARI CAPACITOR	GJ310050040103	
	D 12	IN4001	DIODE	RECT BULK	
	D 303	1SS133Y	DIODE	GJ871999133	
	D 305	1SS133Y	DIODE	GJ871999133	
	D 307	1SS133Y	DIODE	GJ871999133	
	D 661	1SS133Y	DIODE	GJ871999133	
△	D 901	1N5401-M	SI DIODE		
△	D 902	1N5401-M	SI DIODE		
△	D 903	1N5401-M	SI DIODE		

△	Item	Parts number	Parts name	Remarks	Area
△	D 904	1N5401-M	SI DIODE		
	D 905	1SS133Y	DIODE	GJ871999133	
	D 907	1SS133Y	DIODE	GJ871999133	
	D 908	1SS133Y	DIODE	GJ871999133	
	D 909	1SS133Y	DIODE	GJ871999133	
	D 910	1SS133Y	DIODE	GJ871999133	
	D 911	1SS133Y	DIODE	GJ871999133	
	D 912	IN4001	DIODE	RECT BULK	
	D 914	1SS133Y	DIODE	GJ871999133	
	D 915	1SS133Y	DIODE	GJ871999133	
	D 916	1SS133Y	DIODE	GJ871999133	
	D 917	1SS133Y	DIODE	GJ871999133	
	D 918	1SS133Y	DIODE	GJ871999133	
	D 995	1SS133Y	DIODE	GJ871999133	
	FC902	GJ153321741	FUSE HOLDER		
	FC903	GJ153321741	FUSE HOLDER		
	FC905	GJ153321741	FUSE HOLDER		
	FC906	GJ153321741	FUSE HOLDER		
	FW 1	GJ353120150107	CARD WIRE	CN303 TO CN703	
	FW 2	VWF1015-08TTA	CARD WIRE	CN601 TO CD	
	FW 3	GJ353170240107	CARD WIRE	CN304 TO CN701	
	IC 1	TA2104AN	IC	DIP	
	IC 2	LC72136N	IC	PLL IC	
	IC301	TA2068N	IC	DIP PRE/REC AMP	
△	IC302	LA4597K	IC	DIP SB-S1150	
	IC601	AN8806SB	IC	RF AMP	
	IC602	BA6897FP	IC	POWER DRIVER	
	IC603	MN35510	IC	1 CHIP PROCISSE	
	IC703	GP1U281X	IC	GJ313010541005	
△	J 9	QNC0043-001	AC SOCKET	125V 7A	
	J 301	GJ342010200113	JACK	H/P MSJ2000 (BL	
	K 1	QQR0779-001Z	INDUCTOR	GJVQZ0048009	
	K 601	QQR0779-001Z	INDUCTOR	GJVQZ0048009	
	K 602	QQR0779-001Z	INDUCTOR	GJVQZ0048009	
	L 1	VQF1B20-019	OSC COIL	FM OSC	
	L 2	VQC1505-002L	RF COIL	GJ3200020260109	
	L 3	VQB008M-506	BAR ANTENA	GJVQB008M506	
	L 4	QQR0723-001	OSC COIL	IFT AM OSC 7.5	
	L 7	VQP0018-221	INDUCTOR	220UH 10% Q40	
	L 10	QQL231K-4R7Y	INDUCTOR	4.7UH	
	L 12	V03047-17L	INDUCTOR	GJ320080140109	
	L 601	3A839N	INDUCTOR	10UH RADIAL LEA	
	L 602	GJ141033431	INDUCTOR	100UH 10% Q40	
	L 901	VQP0028-330Z	INDUCTOR	33UH	
	Q 1	2SC2668/O/T	TRANSISTOR	GJ312020351201	
	Q 101	2SC2001/LK/-T	TRANSISTOR	GJ872914247	
	Q 111	2SC2458/YG/-T	TRANSISTOR	GJ872923044	
	Q 112	2SC2458/YG/-T	TRANSISTOR	GJ872923044	
	Q 201	2SC2001/LK/-T	TRANSISTOR	GJ872914247	
	Q 211	2SC2458/YG/-T	TRANSISTOR	GJ872923044	
	Q 212	2SC2458/YG/-T	TRANSISTOR	GJ872923044	
	Q 302	KRA102M-T	D.TRANSISTOR	GJ872903715	
	Q 303	2SC2458/YG/-T	TRANSISTOR	GJ872923044	
	Q 304	2SA1015/YG/-T	TRANSISTOR	GJ872923115	
	Q 305	KRC102M-T	D.TRANSISTOR	GJ872903658	
	Q 306	8550C	TRANSISTOR	GJ312080042204	
	Q 308	DTC143ES	TRANSISTOR	DTC143ES-TP	
	Q 309	2SC2458/YG/-T	TRANSISTOR	GJ872923044	
	Q 310	DTA143ESA-T	D.TR.I.M	DTA143ESA-TP	
	Q 311	2SC2001/LK/-T	TRANSISTOR	GJ872914247	
	Q 312	2SC2001/LK/-T	TRANSISTOR	GJ872914247	
	Q 313	2SC2001/LK/-T	TRANSISTOR	GJ872914247	
	Q 315	2SC2458/YG/-T	TRANSISTOR	GJ872923044	

■ Electrical parts list (Main board)

Block No. 01

△	Item	Parts number	Parts name	Remarks	Area	△	Item	Parts number	Parts name	Remarks	Area
	Q 316	2SA1015/YG/-T	TRANSISTOR	GJ872923115			R 132	GJ250081032103	CARBON RESISTOR	CF 1/6W J 10K	
	Q 317	2SC2458/YG/-T	TRANSISTOR	GJ872923044			R 133	GJ250081822103	CARBON RESISTOR	CF 1/6W J 1.8K	
	Q 318	DTA143ESA-T	D.TR.I.M	DTA143ESA-TP			R 134	GJ250083922103	CARBON RESISTOR	CF 1/6W J 3.9K	
	Q 601	2SA952/LK/-T	TRANSISTOR	TAPE			R 135	GJ250084732103	CARBON RESISTOR	CF 1/6W J 47K	
	Q 631	2SA952/LK/-T	TRANSISTOR	TAPE			R 137	GJ250086822103	CARBON RESISTOR	CF 1/6W J 6.8K	
	Q 851	2SA1037AK/RS/-X	TRANSISTOR	GJ872902649			R 204	GJ250083322103	CARBON RESISTOR	CF 1/6W J 3.3K	
△	Q 901	2SB772/QP/	TRANSISTOR	GJ312070021102			R 206	GJ250083932103	CF RESISTOR	CF 1/6W J 39K	
	Q 902	2SC2458/YG/-T	TRANSISTOR	GJ872923044			R 207	GJ250088202103	RES CF	CF 1/6W J 82	
△	Q 903	8550C	TRANSISTOR	GJ312080042204			R 208	GJ250081532103	CARBON RESISTOR	CF 1/6W J 15K	
	Q 904	2SC2458/YG/-T	TRANSISTOR	GJ872923044			R 219	GJ250081042103	CARBON RESISTOR	CF 1/6W J 100K	
△	Q 906	8550C	TRANSISTOR	GJ312080042204			R 221	GJ250088202103	RES CF	CF 1/6W J 82	
	Q 907	2SC2458/YG/-T	TRANSISTOR	GJ872923044			R 222	GJ250082292103	C.RESISTOR	CF 1/6W J 2.2	
△	Q 908	2SB772/QP/	TRANSISTOR	GJ312070021102			R 223	GJ250081012103	CARBON RESISTOR	CF 1/6W J 100	
	Q 909	2SC2458/YG/-T	TRANSISTOR	GJ872923044			R 224	GJ250082222103	CARBON RESISTOR	CF 1/6W J 2.2K	
	Q 911	2SC2458/YG/-T	TRANSISTOR	GJ872923044			R 225	GJ250081032103	CARBON RESISTOR	CF 1/6W J 10K	
	R 1	GJ250081042103	CARBON RESISTOR	CF 1/6W J 100K			R 227	GJ250083322103	CARBON RESISTOR	CF 1/6W J 3.3K	
	R 2	GJ250084732103	CARBON RESISTOR	CF 1/6W J 47K			R 231	GJ250081832103	CARBON RESISTOR	CF 1/6W J 18K	
	R 3	GJ250082702103	CARBON RESISTOR	CF 1/6W J 27			R 232	GJ250081032103	CARBON RESISTOR	CF 1/6W J 10K	
	R 4	GJ250084732103	CARBON RESISTOR	CF 1/6W J 47K			R 233	GJ250081822103	CARBON RESISTOR	CF 1/6W J 1.8K	
	R 7	GJ250081042103	CARBON RESISTOR	CF 1/6W J 100K			R 234	GJ250083922103	CARBON RESISTOR	CF 1/6W J 3.9K	
	R 9	GJ250084722103	CARBON RESISTOR	CF 1/6W J 4.7K			R 235	GJ250084732103	CARBON RESISTOR	CF 1/6W J 47K	
	R 13	GJ250081042103	CARBON RESISTOR	CF 1/6W J 100K			R 237	GJ250086822103	CARBON RESISTOR	CF 1/6W J 6.8K	
	R 18	GJ250081022103	CARBON RESISTOR	CF 1/6W J 1K			R 302	GJ250081032103	CARBON RESISTOR	CF 1/6W J 10K	
	R 20	GJ250081022103	CARBON RESISTOR	CF 1/6W J 1K			R 303	GJ250084752103	RES CF	CF 1/6W J 4.7M	
	R 24	GJ250086812103	CARBON RESISTOR	CF 1/6W J 680			R 304	GJ250081032103	CARBON RESISTOR	CF 1/6W J 10K	
	R 25	GJ250081022103	CARBON RESISTOR	CF 1/6W J 1K			R 305	GJ250081822103	CARBON RESISTOR	CF 1/6W J 1.8K	
	R 30	GJ250081832103	CARBON RESISTOR	CF 1/6W J 18K			R 306	GJ250081822103	CARBON RESISTOR	CF 1/6W J 1.8K	
	R 31	GJ250081042103	CARBON RESISTOR	CF 1/6W J 100K			R 307	GJ250083322103	CARBON RESISTOR	CF 1/6W J 3.3K	
	R 32	GJ250083322103	CARBON RESISTOR	CF 1/6W J 3.3K			R 310	GJ250081232103	CARBON RESISTOR	CF 1/6W J 12K	
	R 33	GJ250083312103	CARBON RESISTOR	CF 1/6W J 330			R 311	GJ250081012103	CARBON RESISTOR	CF 1/6W J 100	
	R 35	GJ250082732103	CARBON RESISTOR	CF 1/6W J 27K			R 312	GJ250084312103	C.RESISTOR	CF 1/6W J 430	
	R 36	GJ250082732103	CARBON RESISTOR	CF 1/6W J 27K			R 313	GJ250081202103	C.RESISTOR	CF 1/6W J 12	
	R 37	GJ250085602103	CARBON RESISTOR	CF 1/6W J 56			R 316	GJ250083322103	CARBON RESISTOR	CF 1/6W J 3.3K	
	R 38	GJ250081012103	CARBON RESISTOR	CF 1/6W J 100			R 317	GJ250081032103	CARBON RESISTOR	CF 1/6W J 10K	
	R 39	GJ250081212103	CF RESISTOR	CF 1/6W J 120			R 318	GJ250081012103	CARBON RESISTOR	CF 1/6W J 100	
	R 42	GJ250084732103	CARBON RESISTOR	CF 1/6W J 47K			R 320	GJ250085622103	CARBON RESISTOR	CF 1/6W J 5.6K	
	R 44	GJ250082222103	CARBON RESISTOR	CF 1/6W J 2.2K			R 321	GJ250085622103	CARBON RESISTOR	CF 1/6W J 5.6K	
	R 47	GJ250082202103	CARBON RESISTOR	CF 1/6W J 22			R 328	GJ250081032103	CARBON RESISTOR	CF 1/6W J 10K	
	R 48	GJ250081022103	CARBON RESISTOR	CF 1/6W J 1K			R 332	GJ250081032103	CARBON RESISTOR	CF 1/6W J 10K	
	R 49	GJ250081832103	CARBON RESISTOR	CF 1/6W J 18K			R 356	GJ250081032103	CARBON RESISTOR	CF 1/6W J 10K	
	R 50	GJ250081832103	CARBON RESISTOR	CF 1/6W J 18K			R 360	GJ250081032103	CARBON RESISTOR	CF 1/6W J 10K	
	R 52	GJ250081032103	CARBON RESISTOR	CF 1/6W J 10K			R 361	GJ250084742103	CARBON RESISTOR	CF 1/6W J 470K	
	R 54	GJ250082222103	CARBON RESISTOR	CF 1/6W J 2.2K			R 371	GJ250081032103	CARBON RESISTOR	CF 1/6W J 10K	
	R 55	GJ250082222103	CARBON RESISTOR	CF 1/6W J 2.2K			R 372	GJ250083322103	CARBON RESISTOR	CF 1/6W J 3.3K	
	R 56	GJ250083322103	CARBON RESISTOR	CF 1/6W J 3.3K			R 373	GJ250081012103	CARBON RESISTOR	CF 1/6W J 100	
	R 57	GJ250081022103	CARBON RESISTOR	CF 1/6W J 1K			R 601	GJ250081132103	CARBON RESISTOR	CF 1/6W J 11K	
	R 59	GJ250081022103	CARBON RESISTOR	CF 1/6W J 1K			R 603	GJ250081252103	FUSE RESISTOR	CF 1/6W J 1.2M	
	R 60	GJ250081022103	CARBON RESISTOR	CF 1/6W J 1K			R 605	GJ250082742103	CARBON RESISTOR	CF 1/6W J 270K	
	R 61	GJ250081022103	CARBON RESISTOR	CF 1/6W J 1K			R 606	GJ250081542103	CARBON RESISTOR	CF 1/6W J 150K	
	R 63	GJ250084732103	CARBON RESISTOR	CF 1/6W J 47K			R 607	GJ250082732103	CARBON RESISTOR	CF 1/6W J 27K	
	R 64	GJ250081022103	CARBON RESISTOR	CF 1/6W J 1K			R 609	GJ250081042103	CARBON RESISTOR	CF 1/6W J 100K	
	R 104	GJ250083322103	CARBON RESISTOR	CF 1/6W J 3.3K			R 610	GJ250081542103	CARBON RESISTOR	CF 1/6W J 150K	
	R 106	GJ250083932103	CF RESISTOR	CF 1/6W J 39K			R 612	GJ250081022103	CARBON RESISTOR	CF 1/6W J 1K	
	R 107	GJ250088202103	RES CF	CF 1/6W J 82			R 613	GJ250081212103	CF RESISTOR	CF 1/6W J 120	
	R 108	GJ250081532103	CARBON RESISTOR	CF 1/6W J 15K			R 614	GJ250081002103	CARBON RESISTOR	CF 1/6W J 10	
	R 119	GJ250081042103	CARBON RESISTOR	CF 1/6W J 100K			R 615	GJ250081202103	C.RESISTOR	CF 1/6W J 12	
	R 121	GJ250088202103	RES CF	CF 1/6W J 82			R 616	GJ250089102103	CARBON RESISTOR	CF 1/6W J 91	
	R 122	GJ250082292103	C.RESISTOR	CF 1/6W J 2.2			R 621	GJ250083302103	CARBON RESISTOR	CF 1/6W J 33	
	R 123	GJ250081012103	CARBON RESISTOR	CF 1/6W J 100			R 622	GJ250083302103	CARBON RESISTOR	CF 1/6W J 33	
	R 124	GJ250082222103	CARBON RESISTOR	CF 1/6W J 2.2K			R 623	GJ250083302103	CARBON RESISTOR	CF 1/6W J 33	
	R 125	GJ250081032103	CARBON RESISTOR	CF 1/6W J 10K			R 631	GJ250083312103	CARBON RESISTOR	CF 1/6W J 330	
	R 127	GJ250083322103	CARBON RESISTOR	CF 1/6W J 3.3K			R 632	GJ250081012103	CARBON RESISTOR	CF 1/6W J 100	
	R 131	GJ250081832103	CARBON RESISTOR	CF 1/6W J 18K			R 633	GJ250082732103	CARBON RESISTOR	CF 1/6W J 27K	

■ Electrical parts list (Main board)

Block No. 01

△	Item	Parts number	Parts name	Remarks	Area
	R 641	GJ250085632103	CARBON RESISTOR	CF 1/6W J 56K	
	R 642	GJ250081232103	CARBON RESISTOR	CF 1/6W J 12K	
	R 643	GJ250088222103	CARBON RESISTOR	CF 1/6W J 8.2K	
	R 644	GJ250082232103	CARBON RESISTOR	CF 1/6W J 22K	
	R 645	GJ250082232103	CARBON RESISTOR	CF 1/6W J 22K	
	R 646	GJ250082222103	CARBON RESISTOR	CF 1/6W J 2.2K	
	R 647	GJ250084722103	CARBON RESISTOR	CF 1/6W J 4.7K	
	R 651	GJ250081022103	CARBON RESISTOR	CF 1/6W J 1K	
	R 652	GJ250081022103	CARBON RESISTOR	CF 1/6W J 1K	
	R 653	GJ250081022103	CARBON RESISTOR	CF 1/6W J 1K	
	R 654	GJ250081022103	CARBON RESISTOR	CF 1/6W J 1K	
	R 659	GJ250082712103	CARBON RESISTOR	CF 1/6W J 270	
	R 661	GJ250086832103	CF RESISTOR	CF 1/6W J 68K	
	R 663	GJ250081242103	CARBON RESISTOR	CF 1/6W J 120K	
	R 664	GJ250084712103	CARBON RESISTOR	CF 1/6W J 470	
	R 666	GJ250082202103	CARBON RESISTOR	CF 1/6W J 22	
	R 671	GJ250081022103	CARBON RESISTOR	CF 1/6W J 1K	
	R 672	GJ250081022103	CARBON RESISTOR	CF 1/6W J 1K	
	R 696	GJ250082222103	CARBON RESISTOR	CF 1/6W J 2.2K	
	R 697	GJ250084742103	CARBON RESISTOR	CF 1/6W J 470K	
	R 901	GJ250084722103	CARBON RESISTOR	CF 1/6W J 4.7K	
	R 902	GJ250085632103	CARBON RESISTOR	CF 1/6W J 56K	
	R 903	GJ250081012103	CARBON RESISTOR	CF 1/6W J 100	
	R 904	GJ250088212103	CARBON RESISTOR	CF 1/6W J 820	
	R 906	GJ250085632103	CARBON RESISTOR	CF 1/6W J 56K	
	R 907	GJ250081022103	CARBON RESISTOR	CF 1/6W J 1K	
	R 908	GJ250083322103	CARBON RESISTOR	CF 1/6W J 3.3K	
	R 909	GJ250081022103	CARBON RESISTOR	CF 1/6W J 1K	
	R 910	GJ250081042103	CARBON RESISTOR	CF 1/6W J 100K	
	R 911	GJ250084722103	CARBON RESISTOR	CF 1/6W J 4.7K	
	R 912	GJ250081022103	CARBON RESISTOR	CF 1/6W J 1K	
	R 913	GJ250085622103	CARBON RESISTOR	CF 1/6W J 5.6K	
△	R 914	QRZ0077-4R7X	FUSE RESISTOR	1/4W J 4.7 TAPE	
	R 915	GJ250081012103	CARBON RESISTOR	CF 1/6W J 100	
	R 916	GJ250088212103	CARBON RESISTOR	CF 1/6W J 820	
	R 917	GJ250082202103	CARBON RESISTOR	CF 1/6W J 22	
	R 919	GJ250085632103	CARBON RESISTOR	CF 1/6W J 56K	
	R 920	GJ250084722103	CARBON RESISTOR	CF 1/6W J 4.7K	
	R 922	GJ250081032103	CARBON RESISTOR	CF 1/6W J 10K	
	R 998	GJ251273352201	C RESISTOR	1/2W 3.3M 5%	
	R 999	GJ250083312103	CARBON RESISTOR	1/6W J 330	
	S 301	MSW-17820MVD0	LEAF SWITCH	GJ390140041114	
	S 303	SK-23E01-G9	SLIDE SWITCH	SLIDE SIDE	
	T 2	GJ123388511	IFT	7MM BLACKPCFAZ-	
△	T 9	GJ336570400003	POWER TRANS.	EI-57 AC120V	
	T 301	OH-812320	BIAS OSC COIL	GJ321000140101	
	TC 2	QAT3722-200ZM	T CAPACITOR	TRIMMER 20PF EC	
	TP 2	VMZ0015-002	POST PIN	FM ANT PIN SOCK	
	WR 1	GJ354003940105	WIRE	CN308 TO DECK	
	WR 2	GJ354003960205	WIRE	POWER TO BATT.	
	WR 3	GJ354003980205	WIRE	CN309 TO SPEAKE	
	WR 4	GJ354003990405	WIRE	FW301 TO POWER	
	WR 5	GJ354004000105	WIRE	CN301 TO HEAD	
	WR 6	GJ351004020105	WIRE	CN602 TO CD ME.	
	X 1	QAX0402-001	CRYSTAL	75KHZ +/-20PPM	
	X 651	CSA16.93MXZ040T	CERA LOCK	CER CSA	
	ZD 1	MTZ3.0JB	Z.DIODE	GJ871998307	
	ZD903	MTZJ6.2B-T2	ZENER DIODE	GJ871992342	
	ZD904	MTZJ5.6B	Z DIODE	GJ310030011305	
	ZD905	MTZJ7.5C-T2	ZENER DIODE	GJ310030015005	

■ Electrical parts list (System CPU board)

Block No. 02

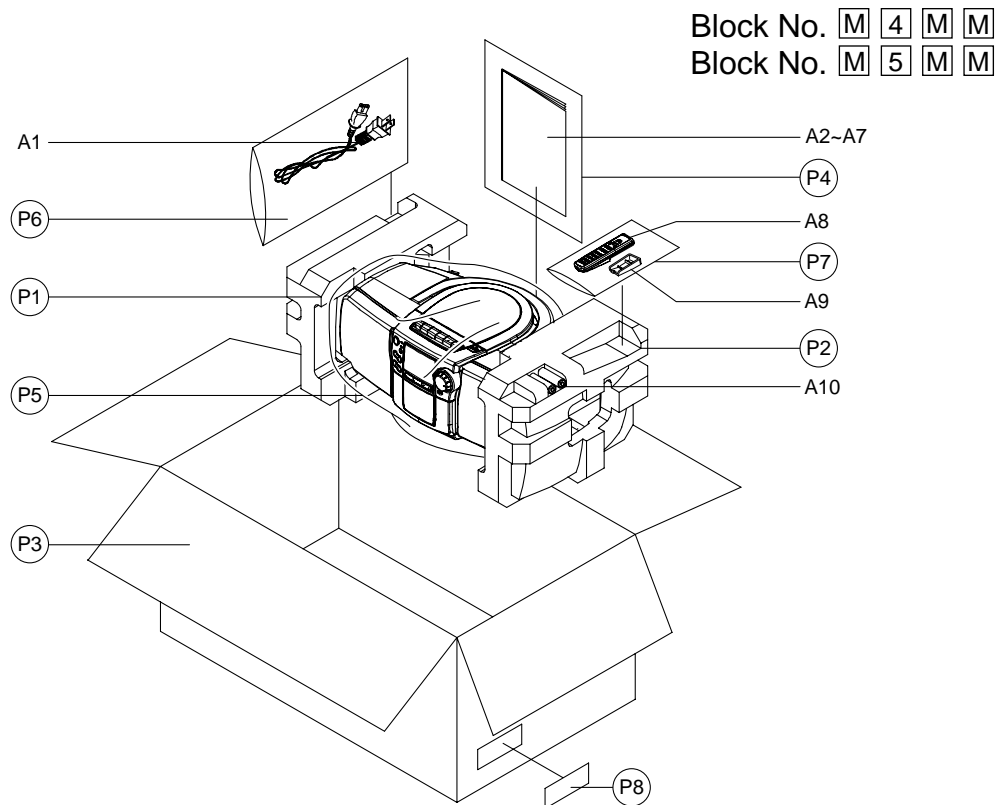
△	Item	Parts number	Parts name	Remarks	Area	△	Item	Parts number	Parts name	Remarks	Area
	C 702	GJ116323691	C.CAPACITOR	24PF CH 2012 5%			R 723	GJ121607391	C.RESISTOR	10K 1/10W 5%	
	C 703	GJ116324091	C.CAPACITOR	36PF CH 2012 Z			R 724	GJ121605791	C.RESISTOR	2.2K 1/10W 5%	
	C 704	GJ116324091	C.CAPACITOR	36PF CH 2012 Z			R 725	GJ121605791	C.RESISTOR	2.2K 1/10W 5%	
	C 705	GJ116323691	C.CAPACITOR	24PF CH 2012 5%			R 726	GJ121605791	C.RESISTOR	2.2K 1/10W 5%	
	C 706	GJ116300991	C.CAPASISTOR	1000PF B 2012 1			R 727	GJ121605791	C.RESISTOR	2.2K 1/10W 5%	
	C 707	GJ116303891	C.CAPACITOR	100000PF F 2012			R 728	GJ121607391	C.RESISTOR	10K 1/10W 5%	
	C 708	GJ270112270332	E.CAPACITOR	10V M 220UF			R 729	GJ121608991	C.RESISTOR	47K 1/10W 5%	
	C 710	GJ116302191	C.CAPASISTOR	10000PF B 2012			R 730	GJ121607391	C.RESISTOR	10K 1/10W 5%	
	C 711	GJ112423391	E.CAPACITOR	16V M 10UF			R 732	GJ121609791	C.RESISTOR	100K 1/10W 5%	
	C 712	GJ112425791	E.CAPACITOR	50V M 2.2UF			R 733	GJ121609791	C.RESISTOR	100K 1/10W 5%	
	C 719	GJ116300991	C.CAPASISTOR	1000PF B 2012 1			R 734	GJ121609791	C.RESISTOR	100K 1/10W 5%	
	C 720	GJ116300991	C.CAPASISTOR	1000PF B 2012 1			R 735	GJ121607391	C.RESISTOR	10K 1/10W 5%	
	C 721	GJ116302191	C.CAPASISTOR	10000PF B 2012			R 738	GJ121607391	C.RESISTOR	10K 1/10W 5%	
	C 722	GJ116311791	C.CAPACITOR	100PF SL 2012 5			R 739	GJ121608191	C.RESISTOR	22K 1/10W 5%	
	C 723	GJ116311791	C.CAPACITOR	100PF SL 2012 5			R 740	GJ121607391	C.RESISTOR	10K 1/10W 5%	
	C 724	GJ116311791	C.CAPACITOR	100PF SL 2012 5			R 741	GJ121607391	C.RESISTOR	10K 1/10W 5%	
	C 725	GJ116311791	C.CAPACITOR	100PF SL 2012 5			R 742	GJ121605791	C.RESISTOR	2.2K 1/10W 5%	
	C 727	GJ112678591	E.CAPACITOR	10V M 47UF			R 746	GJ121608191	C.RESISTOR	22K 1/10W 5%	
	C 732	GJ116303891	C.CAPACITOR	100000PF F 2012			R 748	GJ121608191	C.RESISTOR	22K 1/10W 5%	
	C 738	GJ116312191	C.CAPACITOR	150PF SL 2012 5			R 749	GJ121608991	C.RESISTOR	47K 1/10W 5%	
	CN701	QGF1212F1-17	FFC/FPC CONNE	17PINS			R 750	GJ121607391	C.RESISTOR	10K 1/10W 5%	
	CN702	GJ156450811	CONNECTOR	5 PIN			R 751	GJ121607391	C.RESISTOR	10K 1/10W 5%	
	CN703	QGF1212F1-12	FFC CONNE	12PINS			R 752	GJ121607391	C.RESISTOR	10K 1/10W 5%	
	CN704	GJ156451711	CONNECTOR	2PINS RA			R 753	GJ121605791	C.RESISTOR	2.2K 1/10W 5%	
	D 702	1SS133Y	DIODE	GJ871999133			R 754	GJ121607391	C.RESISTOR	10K 1/10W 5%	
	D 703	UZ5.1BSC-T2	ZENER DIODE	MTZJ5.1B-T77			R 756	GJ121608191	C.RESISTOR	22K 1/10W 5%	
	D 706	1SS133Y	DIODE	GJ871999133			R 758	GJ121605791	C.RESISTOR	2.2K 1/10W 5%	
	D 707	1SS133Y	DIODE	GJ871999133			R 759	GJ121604991	C.RESISTOR	1K 1/10W 5%	
	D 708	1SS133Y	DIODE	GJ871999133			R 760	GJ121604991	C.RESISTOR	1K 1/10W 5%	
	D 851	LT0311G-41	LED GREEN STAND	STAND BY/RED CO			R 761	GJ121605791	C.RESISTOR	2.2K 1/10W 5%	
	D 852	LT0321-41	ON LED RTP	ON /GREEN COLOR			R 762	GJ121605791	C.RESISTOR	2.2K 1/10W 5%	
	DI701	GJ373010282311	LCD	DLC-9833P			R 763	GJ121605791	C.RESISTOR	2.2K 1/10W 5%	
	IC701	GJ313010671223	IC	MICOM MN171603Y			R 767	GJ121606591	C.RESISTOR	4.7K 1/10W 5%	
	K 701	QQR0779-001Z	INDUCTOR	GJVQZ0048009			R 768	GJ121607391	C.RESISTOR	10K 1/10W 5%	
	K 702	QQR0779-001Z	INDUCTOR	GJVQZ0048009			R 770	GJ121605791	C.RESISTOR	2.2K 1/10W 5%	
	K 703	QQR0779-001Z	INDUCTOR	GJVQZ0048009			R 772	GJ121604991	C.RESISTOR	1K 1/10W 5%	
	L 701	3A839N	INDUCTOR	10UH K RADIAL L			R 773	GJ121607391	C.RESISTOR	10K 1/10W 5%	
	L 702	3A839N	INDUCTOR	10UH K RADIAL L			R 774	GJ121604991	C.RESISTOR	1K 1/10W 5%	
	Q 701	2SC2714/O/-X	TRANSISTOR	GJ312020341203			R 775	GJ121604991	C.RESISTOR	1K 1/10W 5%	
	Q 702	2SC2714/O/-X	TRANSISTOR	GJ312020341203			R 776	GJ121604991	C.RESISTOR	1K 1/10W 5%	
	Q 703	2SC2412K/R/-X	TRANSISTOR	GJ872992075			R 777	GJ121604991	C.RESISTOR	1K 1/10W 5%	
	Q 704	DTC144EKA-X	TRANSISTOR	GJ872902759			R 778	GJ121604991	C.RESISTOR	1K 1/10W 5%	
	Q 705	2SA1037AK/RS/-X	TRANSISTOR	GJ872902649			R 779	GJ121604991	C.RESISTOR	1K 1/10W 5%	
	Q 706	DTC143TKA-X	DIGI TRANSISTOR	GJ872902756			R 785	GJ121605791	C.RESISTOR	2.2K 1/10W 5%	
	R 701	GJ121604991	C.RESISTOR	1K 1/10W 5%			R 796	GJ121609791	C.RESISTOR	100K 1/10W 5%	
	R 702	GJ121607191	C.RESISTOR	8.2K 1/10W 5%			R 797	GJ121606591	C.RESISTOR	4.7K 1/10W 5%	
	R 703	GJ121607191	C.RESISTOR	8.2K 1/10W 5%			R 851	GJ121605391	C.RESISTOR	1.5K 1/10W 5%	
	R 704	GJ121604991	C.RESISTOR	1K 1/10W 5%			R 852	GJ121605591	C.RESISTOR	1.8K 1/10W 5%	
	R 706	GJ121607391	C.RESISTOR	10K 1/10W 5%			R 853	GJ121605991	C.RESISTOR	2.7K 1/10W 5%	
	R 707	GJ121607391	C.RESISTOR	10K 1/10W 5%			R 854	GJ121606391	C.RESISTOR	3.9K 1/10W 5%	
	R 708	GJ121607391	C.RESISTOR	10K 1/10W 5%			R 855	GJ121606991	C.RESISTOR	6.8K 1/10W 5%	
	R 709	GJ121608191	C.RESISTOR	22K 1/10W 5%			R 856	GJ121607591	C.RESISTOR	12K 1/10W 5%	
	R 710	GJ121609791	C.RESISTOR	100K 1/10W 5%			R 857	GJ121608791	C.RESISTOR	39K 1/10W 5%	
	R 711	GJ121608191	C.RESISTOR	22K 1/10W 5%			R 858	GJ121606791	C.RESISTOR	5.6K 1/10W 5%	
	R 712	GJ121607391	C.RESISTOR	10K 1/10W 5%			R 859	GJ121607991	C.RESISTOR	18K 1/10W 5%	
	R 714	GJ121608791	C.RESISTOR	39K 1/10W 5%			R 860	GJ121603791	C.RESISTOR	330 1/10W 5%	
	R 715	GJ121608591	C.RESISTOR	33K 1/10W 5%			R 861	GJ121604591	C.RESISTOR	680 1/10W 5%	
	R 716	GJ121608991	C.RESISTOR	47K 1/10W 5%			R 864	GJ121606791	C.RESISTOR	5.6K 1/10W 5%	
	R 717	GJ121608591	C.RESISTOR	33K 1/10W 5%			S 851	QSW0707-001Z	TACT SWITCH	GJ390110171110	
	R 718	GJ121607391	C.RESISTOR	10K 1/10W 5%			S 852	QSW0707-001Z	TACT SWITCH	GJ390110171110	
	R 719	GJ121609791	C.RESISTOR	100K 1/10W 5%			S 853	QSW0707-001Z	TACT SWITCH	GJ390110171110	
	R 720	GJ121609791	C.RESISTOR	100K 1/10W 5%			S 854	QSW0707-001Z	TACT SWITCH	GJ390110171110	
	R 721	GJ121605791	C.RESISTOR	2.2K 1/10W 5%			S 855	QSW0707-001Z	TACT SWITCH	GJ390110171110	

■ Electrical parts list (System CPU board)

Block No. 02

△	Item	Parts number	Parts name	Remarks	Area
	S 856	QSW0707-001Z	TACT SWITCH	GJ390110171110	
	S 857	QSW0707-001Z	TACT SWITCH	GJ390110171110	
	S 858	QSW0707-001Z	TACT SWITCH	GJ390110171110	
	S 865	QSW0707-001Z	TACT SWITCH	GJ390110171110	
	S 866	GJ390030152203	SWITCH PUSH SW	PSG-22F0US-Q3.5	
	VR302	QVQ0121-A54	MAIN VOL	GJ299000490002	
	WR701	GJ354004030205	WIRE	CN704 TO CD DO.	
	WR702	GJ354004040105	WIRE	CN702 TO MAIN	
	X 701	QAX0410-001Z	CERA LOCK	MIZCRHF 4.19MHZ	

Packing materials and accessories parts list



■ Packing parts list

Block No. M4MM

△	Item	Parts number	Parts name	Q'ty	Description	Area
	P 1	GJ560340040101	CUSHION (L)	1		
	P 2	GJ560340050101	CUSHION (R)	1		
	P 3	GJ560340140101	CARTON WALL	1	RC-BZ5RD	
		GJ560340130101	CARTON WALL	1	RC-BZ5LB	
	P 4	QPA02503503P	POLY BAG	1	250 X 350	
	P 5	GJ740456520300	POLYBAG PE	1	450 X 650	
	P 6	QPA01503503	POLY BAG	1	150 X 350	
	P 7	QPA01202505	POLY BAG	1	120 X 250	
	P 8	LV30189-001A	CARTON LABEL	1		

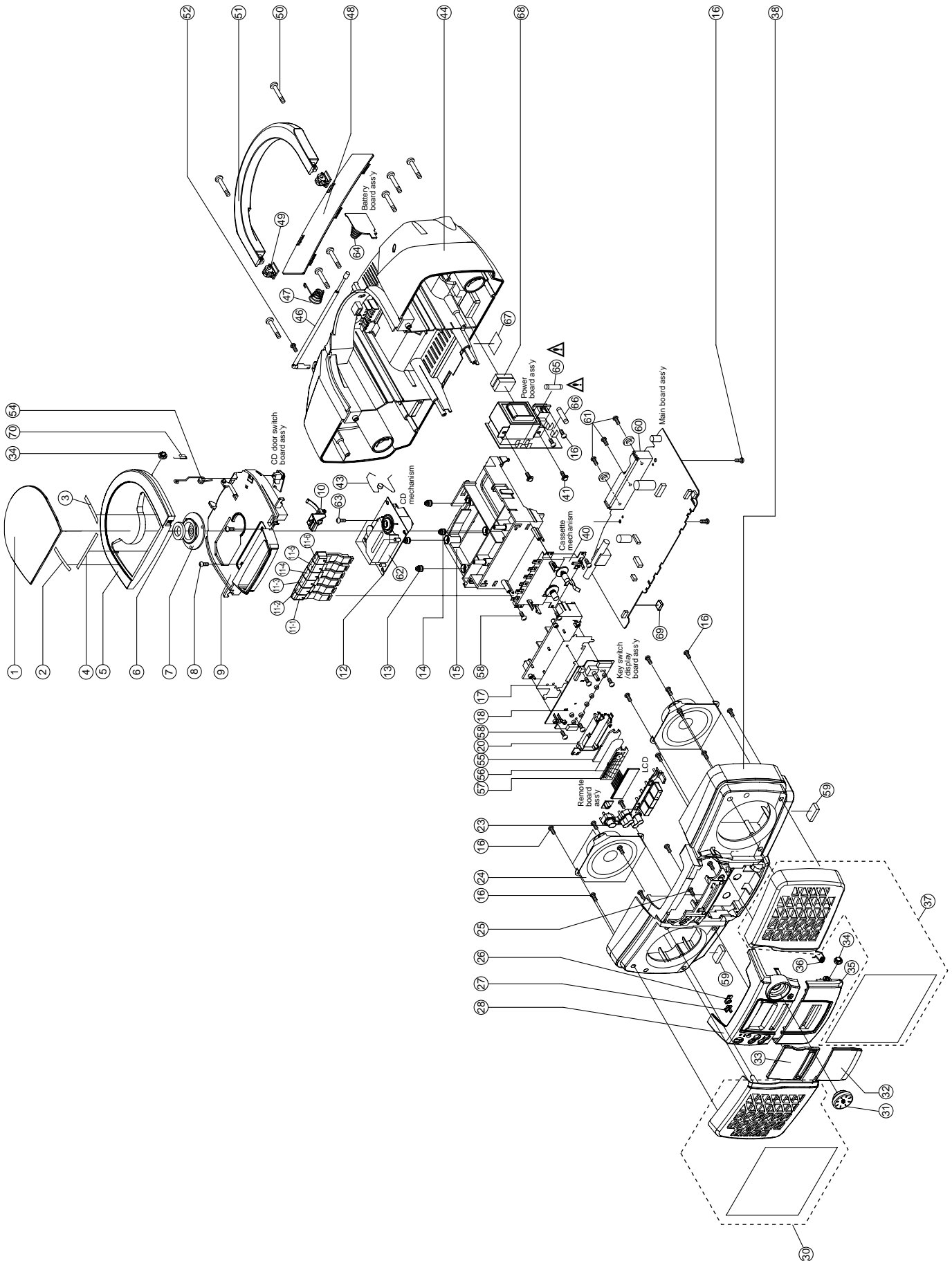
■ Accessories parts list

Block No. M5MM

△	Item	Parts number	Parts name	Q'ty	Description	Area
△	A 1	GJ350161831129	POWER CORD	1	7A 120V 1.80M	
	A 2	GJ773012200101	INTRUCTIONS	1	ENG SPA FRE	J,C
	A 3	BT-20044G	ACC SAFETY GUID	1	GJ775000140101	J,C
	A 4	GJ775000200202	SERVICE LIST	1		J,C
	A 5	GJ775000340101	SVC CENTER LIST	1		J,C
	A 6	GJ773030190302	WARRANTY CARD	1		J
	A 7	GJ773030290101	WARRANTY CARD	1		C
	A 8	GJA1002014001C	REMOCON UNIT	1		
	A 9	GJ460340320102	BATTER COVER	1	REMOTE CONTROL	

Exploded view of general assemble and parts list

Block No. M 1 M M



■ Parts list (General assembly)

Block No. M1MM

△	Item	Parts number	Parts name	Q'ty	Description	Area
	1	GJ460340470101	LENS CD DOOR	1		
	2	GJ670000010330	D.SPACER	1	65X3.5	
	3	GJ670000010340	D.SPACER	1	65X3.5	
	4	GJ670000010350	D.SPACER	1	110-3.0	
	5	GJ460340120101	DOOR CD	1		
	6	VYH7313-005	MAGNET	1		
	7	LV30175-001A	CLAMPER	1		
	8	GJ702224301242	SCREW TT3X12	2	FOR CD CASE	
	9	GJ460340160101	CD CASE	1		
	10	GJ460340020101	BUTTON	1		
	11-1	GJ460340040101	BUTTON(A)MECHA.	1	PAUSE	
	11-2	GJ460340050101	BUTTON(B)MECHA.	1	STOP	
	11-3	GJ460340060101	BUTTON(C)MECHA.	1	FF	
	11-4	GJ460340070101	BUTTON(D)MECHA.	1	REW	
	11-5	GJ460340080101	BUTTON(E)MECHA.	1	PLAY	
	11-6	GJ460340090101	BUTTON(F)MECHA.	1	REC	
	12	-----	CD UNIT EXL-M7B	1	GJA1005002001C	
	13	E75609-001	INSULATOR	2	CD MECHA RED	
	14	E75609-002	INSULATOR	2	CD MECHA PURPLE	
	15	GJ460340170101	HOLDER CD	1		
	16	GJ702244301012	SCREW TT3X10	20	SPEAKE/MAIN PCB	
	17	GJ460340200101	HOLDER	1	CONTROL BOARD	
	18	GJ781000090101	SHIELD PLATE	1		
	20	GJ460340280101	HOLDER(2)	1	LCD	
	23	GJ460340230101	FUNCTION KNOB	1		
	24	LE10010-005A	SPEAKER	2		
	25	GJ702244260812	SCREW TT2.6X8	2	COVER-FRONT	
	26	GJ460340030101	LENS	1	REMOTE SENSOR	
	27	GJ460340260101	LENS	1	LED	
	28	GJ460340290101	FRONT COVER	1		
	30	GJ0005-SPGR	SPEAKER GRILLE	1	SHILD	
	31	GJ460340240101	VOLUME KNOB	1		
	32	GJ460340190101	C.DOOR LENS	1		
	33	GJ460340220101	FRONT LENS	1		
	34	VYH8007-001	GEAR DANPER	2	DOOR	
	35	GJ460340180101	CASSETTE DOOR	1		
	36	LV40210-001A	DOOR SPRING	1		
	37	GJ0006-SPGR	SPEAKER GRILLE	1	SHILD	
	38	GJ460340010101	FRONT CABINET	1		
	40	-----	DECK MECHANISM	1	TN-21ZVC-1800	
	41	GJ702264301412	SCREW TT3X14	2		
	43	GJ711001340101	SPRING	1	ANT CONTACT	
	44	GJ460340100101	REAR CABINET	1		
	46	TA46174	T.PICK ANTENNA	1		
	47	VYH5657-006	BATTERY SPRING	1	SIZE D	
	48	LV20082-001A	BATTERY COVER	1		
	49	VYH8008-001	HANDLE SUPPORT	2		

■ Parts list (General assembly)

Block No. M1MM

△	Item	Parts number	Parts name	Q'ty	Description	Area
	50	GJ702244304512	SCREW TT3X45	8		
	51	GJ460340150101	HANDLE	1		
	52	GJ701224300852	SCREW M3X8	1		
	54	GJ711001330201	SPRING	1		
	55	LV40379-001A	LCD LENS 2	1		
	56	LV40213-001A	LCD SHEET	1		
	57	LV40200-001A	LCD LENS	1		
	58	GJ702244300812	SCREW TT3X8	8		
	59	GJ782000090101	FOOT RUBBER	2		
	60	LV30176-001A	HEAT SINK	1		
	61	QYSDSF3008Z	SCREW	3	HEAT SINK	
	62	202-300002-00	CD COVER PLATE	1		
	63	GJ702224200642	SCREW TT2X6	4	CD COVER	
	64	VYH5483-001	BATTERY SPRING	1		
△	65	QMF51N2-3R0-J1	FUSE	1	3A 125V F902	
△	66	QMF51N2-3R0-J1	FUSE	1	3A 125V F903	
	67	GJ560340060101	NAME PLATE	1		J,C
	68	GJ782000090101	RUBBER SPACER	1		
	69	GJ761000200100	SPACER	1		
	70	GJ500340240101	GEAR SPRING	1	CD DAMP	

■ Parts list (Cassette mechanism assembly)

Block No. M2MM

△	Item	Parts number	Parts name	Q'ty	Description	Area
	1	192114316T	BASE ASSY	1		
	2	19211409T	SWITCH ACTUATOR	1		
	3	19211408T	LOCK CAM	1		
	4	19211403T	REC BUTT.LEVER	1		
	5	19211419T	PLAY BUTT.LEVER	1		
	6	19211404T	REW BUTT. LEVER	1		
	7	19211405T	FF BUTTON LEVER	1		
	8	19211406T	STOP BUTT.LEVER	1		
	9	19211460T	PAUSE BUT.LEVER	1		
	10	19211413AT	SPRING	1	PAUSE LEVER	
	11	19211455T	PAUSE LEVER (E)	1		
	12	19211412T	SPRING	1	PAUSE LEVER	
	13	19211411T	PAUSE STOPPER	1		
	14	19211414T	TORSION SPRING	1		
	15	192101501T	CHASSIS ASS'Y	1		
	16	19211416T	TORSION SPRING	1		
	17	19211417T	TORSION SPRING	1		
	19	182101159T	E.KICK LEVER	1		
	20	19211420T	STOPPER	1		
	21	19211421T	TORSION SPRING	1	REC BUTTON	
	22	19211415T	TORSION SPRING	1	BUTTON LEVER	
	23	MSW-1541T	LEAF SWITCH	1	640101149T	
	24	18210150T	TENSION SPRING	1	PLAY BUTTON	
	25	19210311T	HEAD PANEL	1		
	26	19210304AT	HEAD BASE	1		
	27	19210309T	PANEL P SPRING	1		
	28	19210305T	MAGNET HEAD ARM	1		
	29	18210307T	AZIMUTH SPRING	1	AZIMUTH	
	30	19211418AT	SPRING	1	M CONTROL	
	31	19210310T	MG ARM SPRING	1	MG ARM	
	32	192104309T	P.ROLLER ARM	1		
	35	19212604AT	SENSING LEVER	1		
	36	19212605T	TORSION SPRING	1	GEAR PLATE	
	37	192126502T	GEAR PLATE	1		
	38	19212602T	CAM GEAR	1		
	40	192107304T	R.F.CLUTCH	1		
	41	19210703T	REW/F.F. BELT	1		
	43	192109303T	FLYWHEEL ASSY	1		
	45	18211070T	F.FORWARD GEAR	1		
	46	18211099T	BACK TENSION SP	1		
	47	192105304T	S. REEL ASS'Y	1		
	48	192105303T	T. REEL ASS'Y	1		
	49	19210506T	SENSOR	1		
	51	18211289AT	MOTOR BRACKET	1		
	53	19211202T	COLLAR SCREW	2	SP MOTOR 3X6	
	54	19211201T	MOTOR PULLEY	1		
	55	19210904T	MAIN BELT	1		
	56	19211203T	MB SCREW	1	SP MB 2X	

■ Parts list (Cassette mechanism assembly)

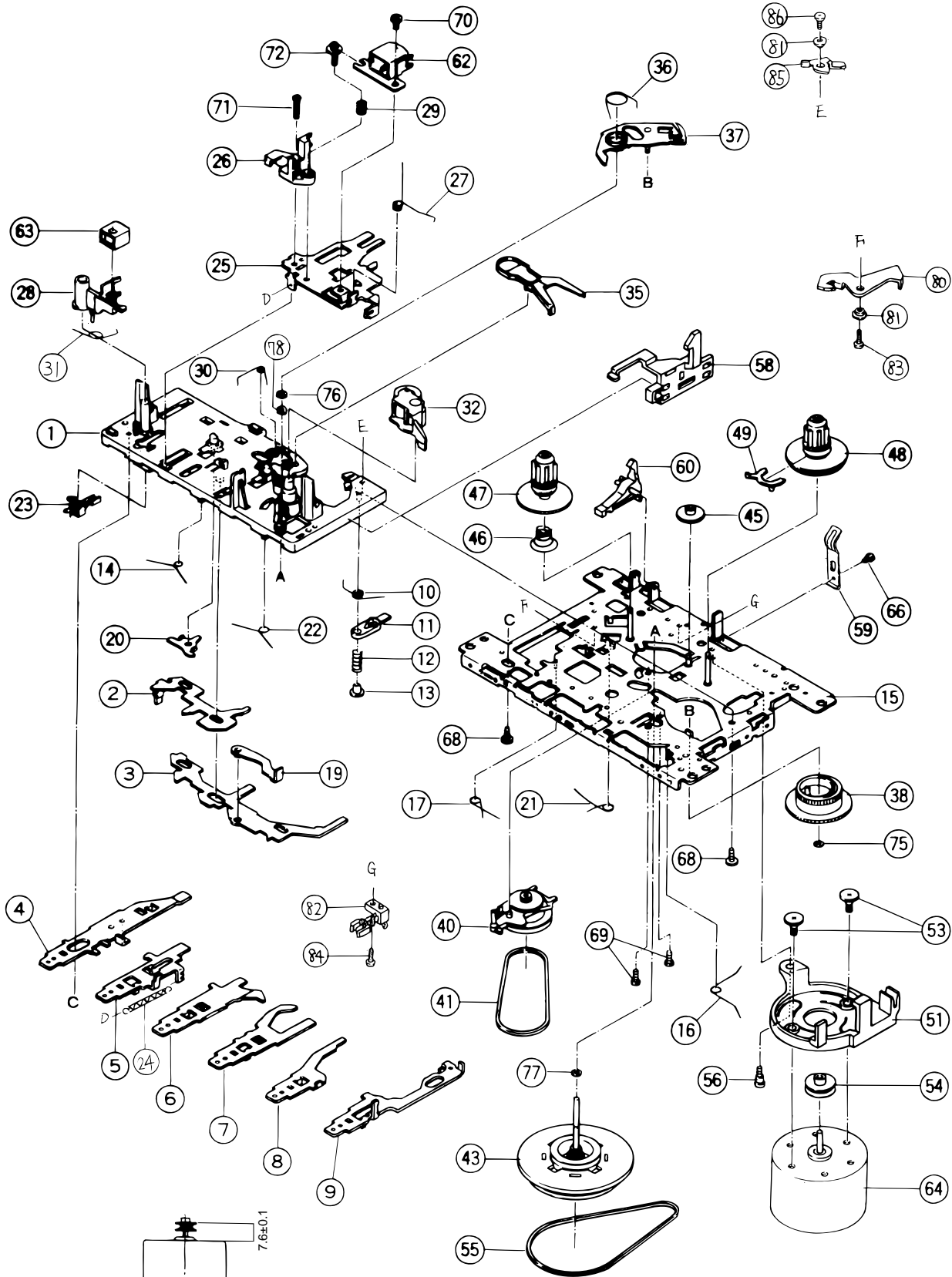
Block No. M2MM

△	Item	Parts number	Parts name	Q'ty	Description	Area
	58	19211301T	EM. SLIDE LEVER	1		
	59	18211093T	PACK SPRING	1	GJ711000820103	
	60	18211069T	RECK.SAF.LEVER	1		
	62	MS15R-AA2N1	R/P.HEAD	1		
	63	PH-K380-MS1-6A	ERASE HEAD	1	GJ382070110003	
	64	60020217T	MOTOR	1		
	66	9P0420031T	TAPPING SCREW	1	PACK SPRING	
	68	9B1020051T	TAPPING SCREW	2	(Ma X 5)	
	69	9C0720451T	TAPPING SCREW	2	(Ma X 4.5)	
	70	9B0120031T	SCREW (+)BIND	1	(Ma X 3)	
	71	9P0120061T	SCREW	1	(Ma X 6)	
	72	9F0820071T	SCREW AZIMUTH	1	(Ma X 7)	
	75	9W0230010T	P.CUT WASHER	1	(12X3.8X0.3)	
	76	9W0250010T	P.CUT WASHER	1	(1.45X3.8X0.5)	
	77	9W0140010T	P.CUT WASHER	1	(2X3.5X0.4)	
	78	9W0113020T	P.CUT WASHER	1	(2X3.5X0.4)	
	80	19210201T	RECK ARM	1		
	81	19211437T	P ARM COLLAR	2		
	82	64010138T	LEAF SWITCH	1		
	83	9P0420041T	C TAPPING SCREW	1	(Ma X 4)	
	84	9P0420051T	C TAPPING SCREW	1	(Ma X 5)	
	85	19211434T	P.ROLLER ARM	1		
	86	9P0820301T	PA TAPPIN.SCREW	1	(Ma X 3)	

Cassette mechanism assembly and parts list

TN-21ZVC-1800

Block No. M 2 M M



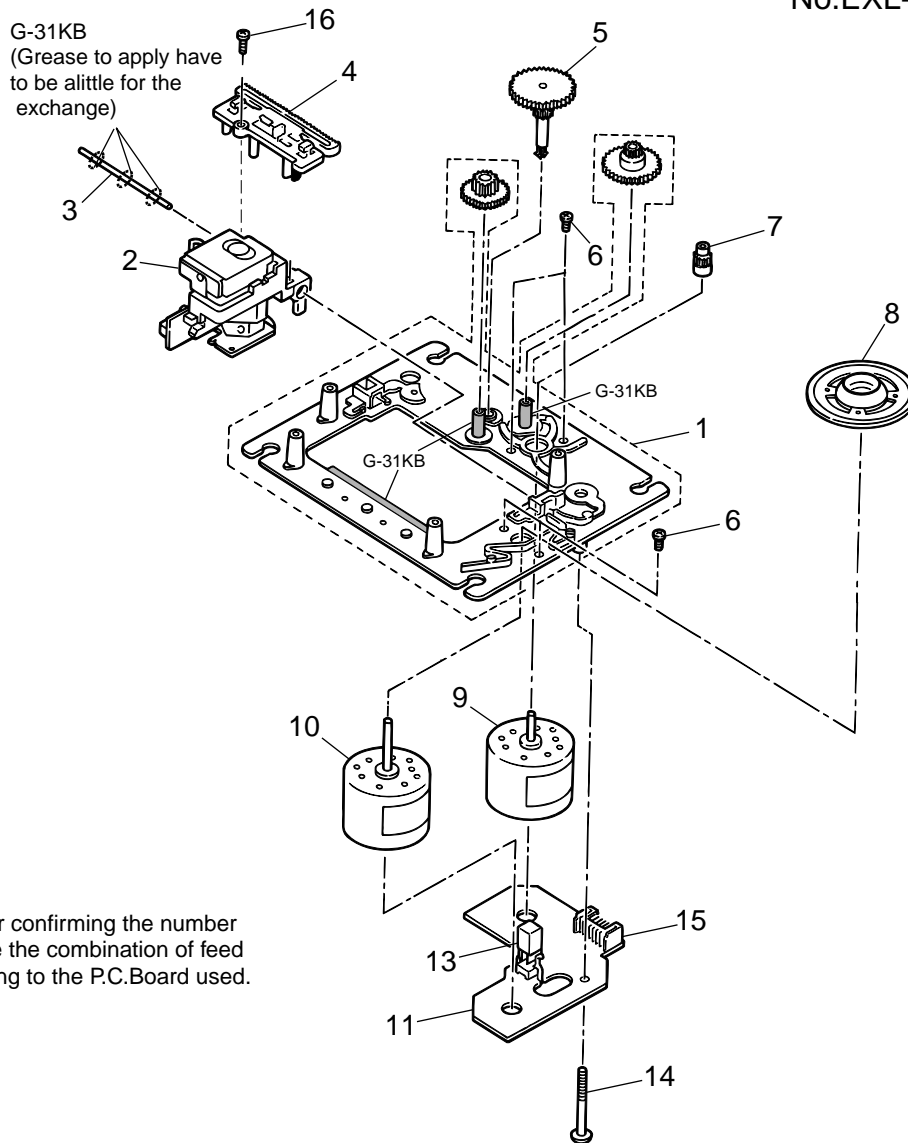
7.6±0.1
Pulley high dimension

CD mechanism assembly and parts list

■ Grease Point

Block No. M 3 M M

No.EXL-M7B



NOTE

Please order motor after confirming the number of the P.C.Board because the combination of feed motor is different according to the P.C.Board used.

■ Parts list (CD mechanism assembly)

Block No. M3MM

Item	Parts number	Parts name	Q'ty	Description	Area
1	GJ560280020101	MECHA BASE	1		
2	OPTIMA-7B	C.D PICK	1		
3	E407782-001	PICK STAFF	1		
4	E307746-001	CD RACK GEAR	1	GEAR SHAFT	
5	GJ560280010101	MECHA GEAR	1		
6	GJ50312003102	SCREW MZX3 B/H	4		
7	E406750-001	PINION GEAR	1		
8	GJA2062001001C	CD TURN TABLE	1		
9	GJ90028678400	FEED MOTOR	1		
10	GJ90028678300	SPINDLE MOTOR	1		
11	EMW10190-001/S/	MECH CIR BOARD	1		
13	GJ157208512	LEAF SWITCH	1		
14	GJ50322623312	SPECIAL SCREW	1		
15	GJ51206010101	6P PLUG ASSY	1		
16	SDSF2006Z	SCREW	1		

■ Electrical parts list (Main board)

Block No. 01

Item	Parts number	Parts name	Remarks	Area
C 3	GJ264130392101	C.CAPACITOR	50V SL K 3.9PF	
C 6	GJ264271032101	C.CAPACITOR	16V Y M 0.01UF	
C 7	GJ264141022101	C.CAPACITOR	50V B K 1000PF	
C 9	GJ264031202101	A.CAPACITOR	50V SL J 12PF	
C 13	GJ262102232402	C.CAPACITOR	25V YR K 0.022U	
C 16	GJ264271032101	C.CAPACITOR	16V Y M 0.01UF	
C 21	GJ262104732402	C.CAPACITOR	25V YR K 0.047U	
C 22	GJ285214312415	M.CAPACITOR	PP 100V J 430PF	
C 23	GJ264081202101	C.CAPACITOR	50V CH J 12PF	
C 31	GJ264141022101	C.CAPACITOR	50V B K 1000PF	
C 32	GJ264271032101	C.CAPACITOR	16V Y M 0.01UF	
C 33	GJ270111070332	E.CAPACITOR	10V M VX 100UF	
C 35	GJ270191040332	E.CAPACITOR	50V M 0.1UF	
C 36	GJ270194750332	E.CAPACITOR	50V M 4.7UF	
C 37	GJ264141022101	C.CAPACITOR	50V B K 1000PF	
C 38	GJ264271032101	C.CAPACITOR	16V Y M 0.01UF	
C 40	GJ264271032101	C.CAPACITOR	16V Y M 0.01UF	
C 41	GJ270194750332	E.CAPACITOR	50V M 4.7UF	
C 42	GJ262104732402	C.CAPACITOR	25V YR K 0.047U	
C 43	GJ270191040332	E.CAPACITOR	50V M 0.1UF	
C 44	GJ270191050332	E.CAPACITOR	50V M 1UF	
C 45	GJ270191040332	E.CAPACITOR	50V M 0.1UF	
C 47	GJ262101532402	C.CAPACITOR	25V YR K 0.015U	
C 48	GJ262101532402	C.CAPACITOR	25V YR K 0.015U	
C 49	GJ270191040332	E.CAPACITOR	50V M 0.1UF	
C 50	GJ270191040332	E.CAPACITOR	50V M 0.1UF	
C 51	GJ264143312101	C.CAPACITOR	AXIAL 50V B K 3	
C 52	GJ264141022101	C.CAPACITOR	50V B K 1000PF	
C 56	GJ264141022101	C.CAPACITOR	50V B K 1000PF	
C 60	GJ264141022101	C.CAPACITOR	50V B K 1000PF	
C 61	GJ270111070332	E.CAPACITOR	10V M VX 100UF	
C 62	GJ264081202101	C.CAPACITOR	50V CH J 12PF	
C 63	GJ264141022101	C.CAPACITOR	50V B K 1000PF	
C 64	GJ264081202101	C.CAPACITOR	50V CH J 12PF	
C 65	GJ264141022101	C.CAPACITOR	50V B K 1000PF	
C 69	GJ264262222101	A.CAPACITOR	16V X M 0.0022U	
C 70	GJ270192250332	E.CAPACITOR	50V M 2.2UF	
C 71	GJ270121060332	E.CAPACITOR	16V M 10UF	
C 77	GJ264141022101	C.CAPACITOR	50V B K 1000PF	
C 98	GJ264141012101	C.CAPACITOR	50V B K 100PF	
C 99	GJ264141012101	C.CAPACITOR	50V B K 100PF	
C 101	GJ283101022432	M.CAPACITOR	50V K 0.001UF	
C 102	GJ283105622432	M.CAPACITOR	50V K 0.0056UF	
C 103	GJ270122260332	E.CAPACITOR	16V M 22UF	
C 104	GJ282033932415	M.CAPACITOR	50V J 0.039UF	
C 107	GJ270194750332	E.CAPACITOR	50V M 4.7UF	
C 108	GJ270191050332	E.CAPACITOR	50V M 1UF	
C 109	GJ283108232432	M.CAPACITOR	50V K 0.082UF	
C 110	GJ283108232432	M.CAPACITOR	50V K 0.082UF	
C 111	GJ283106822432	M.CAPACITOR	50V K 0.0068UF	
C 112	GJ282034742415	M.CAPACITOR	50V J 0.47UF	
C 113	GJ283102232432	M.CAPACITOR	50V K 0.022UF	
C 114	GJ270122260332	E.CAPACITOR	16V M 22UF	
C 115	GJ270191040332	E.CAPACITOR	50V M 0.1UF	
C 117	GJ270191050332	E.CAPACITOR	50V M 1UF	
C 119	GJ270194750332	E.CAPACITOR	50V M 4.7UF	
C 120	GJ270121070332	E.CAPACITOR	16V M 100UF	
C 121	GJ264142212101	C.CAPACITOR	50V B K 220PF	
C 122	GJ270121070332	E.CAPACITOR	16V M 100UF	
C 123	GJ270122280132	E.CAPACITOR	16V M 2200UF	
C 124	GJ283101042432	M.CAPACITOR	50V K 0.1UF	
C 125	GJ270122260332	E.CAPACITOR	16V M 22UF	
C 130	GJ260772212412	C.CAPACITOR	C 50V SL J 220P	

Item	Parts number	Parts name	Remarks	Area
C 134	GJ283105622432	M.CAPACITOR	50V K 0.0056UF	
C 155	GJ264141812101	C.CAPACITOR	50V B K 180PF	
C 201	GJ283101022432	M.CAPACITOR	50V K 0.001UF	
C 202	GJ283105622432	M.CAPACITOR	50V K 0.0056UF	
C 203	GJ270122260332	E.CAPACITOR	16V M 22UF	
C 204	GJ282033932415	M.CAPACITOR	50V J 0.039UF	
C 207	GJ270194750332	E.CAPACITOR	50V M 4.7UF	
C 208	GJ270191050332	E.CAPACITOR	50V M 1UF	
C 209	GJ283108232432	M.CAPACITOR	50V K 0.082UF	
C 210	GJ283108232432	M.CAPACITOR	50V K 0.082UF	
C 211	GJ283106822432	M.CAPACITOR	50V K 0.0068UF	
C 212	GJ282034742415	M.CAPACITOR	50V J 0.47UF	
C 213	GJ283102232432	M.CAPACITOR	50V K 0.022UF	
C 214	GJ270122260332	E.CAPACITOR	16V M 22UF	
C 215	GJ270191040332	E.CAPACITOR	50V M 0.1UF	
C 217	GJ270191050332	E.CAPACITOR	50V M 1UF	
C 219	GJ270194750332	E.CAPACITOR	50V M 4.7UF	
C 220	GJ270121070332	E.CAPACITOR	16V M 100UF	
C 221	GJ264142212101	C.CAPACITOR	50V B K 220PF	
C 222	GJ270121070332	E.CAPACITOR	16V M 100UF	
C 223	GJ270122280132	E.CAPACITOR	16V M 2200UF	
C 224	GJ283101042432	M.CAPACITOR	50V K 0.1UF	
C 225	GJ270122260332	E.CAPACITOR	16V M 22UF	
C 230	GJ260772212412	C.CAPACITOR	C 50V SL J 220P	
C 234	GJ283105622432	M.CAPACITOR	50V K 0.0056UF	
C 255	GJ264141812101	C.CAPACITOR	50V B K 180PF	
C 303	GJ260771512412	C.CAPACITOR	50V SL J 150PF	
C 304	GJ270114760332	E.CAPACITOR	10V M 47UF	
C 305	GJ270122260332	E.CAPACITOR	16V M 22UF	
C 306	GJ270114760332	E.CAPACITOR	10V M 47UF	
C 308	GJ260771812412	C.CAPACITOR	50V SL J 180PF	
C 309	GJ264261822101	C.CAPACITOR	16V X M 0.0018U	
C 310	GJ283101822432	M.CAPACITOR	50V K 0.0018UF	
C 312	GJ283106822432	M.CAPACITOR	50V K 0.0068UF	
C 313	GJ270114760332	E.CAPACITOR	10V M 47UF	
C 315	GJ283104722432	M.CAPACITOR	50V K 0.0047UF	
C 318	GJ270146880132	E.CAPACITOR	25V VX M 6800UF	
C 319	GJ270141060332	E.CAPACITOR	25V M 10UF	
C 320	GJ270122270332	E.CAPACITOR	16V M 220UF	
C 321	GJ270111070332	E.CAPACITOR	10V M VX 100UF	
C 322	GJ264141022101	C.CAPACITOR	50V B K 1000PF	
C 323	GJ270111070332	E.CAPACITOR	10V M VX 100UF	
C 324	GJ283101022432	M.CAPACITOR	50V K 0.001UF	
C 325	GJ270111070332	E.CAPACITOR	10V M VX 100UF	
C 326	GJ270111070332	E.CAPACITOR	10V M VX 100UF	
C 327	GJ270111070332	E.CAPACITOR	10V M VX 100UF	
C 328	GJ270191050332	E.CAPACITOR	50V M 1UF	
C 329	GJ270191040332	E.CAPACITOR	50V M 0.1UF	
C 330	GJ270194750332	E.CAPACITOR	50V M 4.7UF	
C 350	GJ270194750332	E.CAPACITOR	50V M 4.7UF	
C 353	GJ270121060332	E.CAPACITOR	16V M 10UF	
C 354	GJ270112270332	E.CAPACITOR	10V M 220UF	
C 357	GJ270122260332	E.CAPACITOR	16V M 22UF	
C 371	GJ264141022101	C.CAPACITOR	50V B K 1000PF	
C 604	GJ270111070332	E.CAPACITOR	10V M VX 100UF	
C 605	GJ270141060332	E.CAPACITOR	25V M 10UF	
C 606	GJ264141022101	C.CAPACITOR	50V B K 1000PF	
C 607	GJ264141022101	C.CAPACITOR	50V B K 1000PF	
C 608	GJ270191050332	E.CAPACITOR	50V M 1UF	
C 609	GJ264141012101	C.CAPACITOR	50V B K 100PF	
C 610	GJ282032732415	M.CAPACITOR	50V J 0.027UF	
C 611	GJ264264722101	A.CAPACITOR	16V X M 0.0047U	
C 612	GJ264271032101	C.CAPACITOR	16V Y M 0.01UF	

■ Electrical parts list (Main board)

Block No. 01

△	Item	Parts number	Parts name	Remarks	Area
	C 613	GJ264143312101	C.CAPACITOR	AXIAL 50V B K 3	
	C 614	GJ282031042415	M.CAPACITOR	50V J 0.1UF	
	C 615	GJ264182232101	C.CAPACITOR	25V F Z 0.022UF	
	C 616	GJ264182232101	C.CAPACITOR	25V F Z 0.022UF	
	C 617	GJ264182232101	C.CAPACITOR	25V F Z 0.022UF	
	C 618	GJ264262222101	A.CAPACITOR	16V X M 0.0022U	
	C 619	GJ264142712101	A.CAPACITOR	AXIAL 50V B K 2	
	C 620	GJ264141812101	C.CAPACITOR	50V B K 180PF	
	C 622	GJ270114760332	E.CAPACITOR	10V M 47UF	
	C 623	GJ282031042415	M.CAPACITOR	50V J 0.1UF	
	C 628	GJ262104732402	C.CAPACITOR	25V YR K 0.047U	
	C 629	GJ270111070332	E.CAPACITOR	10V M VX 100UF	
	C 631	GJ270114770332	E.CAPACITOR	10V M 470UF	
	C 632	GJ270111070332	E.CAPACITOR	10V M VX 100UF	
	C 640	GJ264278222101	C.CAPACITOR	16V X M 0.0082U	
	C 641	GJ264182232101	C.CAPACITOR	25V F Z 0.022UF	
	C 651	GJ264032202101	C.CAPACITOR	50V SL J 22PF	
	C 652	GJ264032202101	C.CAPACITOR	50V SL J 22PF	
	C 653	GJ264182232101	C.CAPACITOR	25V F Z 0.022UF	
	C 655	GJ262104732402	C.CAPACITOR	25V YR K 0.047U	
	C 661	GJ264144712101	C.CAPACITOR	50V B K 470PF	
	C 662	GJ264182232101	C.CAPACITOR	25V F Z 0.022UF	
	C 663	GJ28203232415	M.CAPACITOR	50V J 0.022UF	
	C 664	GJ264182232101	C.CAPACITOR	25V F Z 0.022UF	
	C 665	GJ282031042415	M.CAPACITOR	50V J 0.1UF	
	C 671	GJ264262222101	A.CAPACITOR	16V X M 0.0022U	
	C 672	GJ264262222101	A.CAPACITOR	16V X M 0.0022U	
	C 673	GJ270112270332	E.CAPACITOR	10V M 220UF	
	C 674	GJ264182232101	C.CAPACITOR	25V F Z 0.022UF	
	C 675	GJ264141022101	C.CAPACITOR	50V B K 1000PF	
	C 676	GJ264141022101	C.CAPACITOR	50V B K 1000PF	
	C 690	GJ264271032101	C.CAPACITOR	16V Y M 0.01UF	
	C 691	GJ264141512101	C.CAPACITOR	50V B K 150PF	
	C 692	GJ264141512101	C.CAPACITOR	50V B K 150PF	
	C 693	GJ264141512101	C.CAPACITOR	50V B K 150PF	
	C 694	GJ264141512101	C.CAPACITOR	50V B K 150PF	
	C 695	GJ264271032101	C.CAPACITOR	16V Y M 0.01UF	
	C 696	GJ264141012101	C.CAPACITOR	50V B K 100PF	
	C 697	GJ264141012101	C.CAPACITOR	50V B K 100PF	
	C 698	GJ264141012101	C.CAPACITOR	50V B K 100PF	
	C 699	GJ264141012101	C.CAPACITOR	50V B K 100PF	
	C 709	GJ270102280132	E.CAPACITOR	6.3V M 2200UF	
	C 901	GJ262772232412	C.CAPACITOR	50V F Z 0.022UF	
	C 902	GJ262772232412	C.CAPACITOR	50V F Z 0.022UF	
	C 903	GJ262772232412	C.CAPACITOR	50V F Z 0.022UF	
	C 904	GJ262772232412	C.CAPACITOR	50V F Z 0.022UF	
	C 905	GJ264271032101	C.CAPACITOR	16V Y M 0.01UF	
	C 906	GJ264271032101	C.CAPACITOR	16V Y M 0.01UF	
	C 908	GJ264271032101	C.CAPACITOR	16V Y M 0.01UF	
	C 909	GJ270194750332	E.CAPACITOR	50V M 4.7UF	
	C 910	GJ270112270332	E.CAPACITOR	10V M 220UF	
	C 911	GJ270122260332	E.CAPACITOR	16V M 22UF	
	C 912	GJ264271032101	C.CAPACITOR	16V Y M 0.01UF	
	C 913	GJ264271032101	C.CAPACITOR	16V Y M 0.01UF	
	C 914	GJ270112270332	E.CAPACITOR	10V M 220UF	
	C 915	GJ270111070332	E.CAPACITOR	10V M VX 100UF	
	C 916	GJ270114760332	E.CAPACITOR	10V M 47UF	
	CF 1	QAX0403-001	C FILTER	FM 10.7M	
	CF 3	QAX0538-001Z	CRYSTAL	FM CDA10.7	
	CN301	GJ156450711	CONNECTOR	4PINS ST	
	CN303	QGF1212C1-13	FFC CONNECTOR	13PIN	
	CN304	QGF1212C1-17	FFC CONNECTOR	17PINS	
	CN306	TID-X03P-MI	CONNECTOR	3 PINS RA WHIT	

△	Item	Parts number	Parts name	Remarks	Area
	CN307	5268-03A	CONNECTOR	3PINS RA	
	CN308	GJ156450911	CONNECTOR	6PINS ST	
	CN309	GJ158016511	TRANSISTOR	4PINS ST	
	CN310	QGA2501C3-03Z	CONNECTOR IM	GJ156450611	
	CN601	QGF1025C1-15	21-41 CONNECTOR	15PIN	
	D 1	SVC203SPA-JV-T	VARI CAP	VARIABLE FM CAP	
	D 2	SVC203SPA-JV-T	VARI CAP	VARIABLE FM CAP	
	D 5	1SS133Y	DIODE	GJ871999133	
	D 6	1SS133Y	DIODE	GJ871999133	
	D 8	KV1555N-T	VARI CAPACITOR	VARIABLE AM CAP	
	D 12	IN4001	DIODE	RECT 1N4001 BUL	
	D 301	1SS133Y	DIODE	GJ871999133	
	D 303	1SS133Y	DIODE	GJ871999133	
	D 304	1SS133Y	DIODE	GJ871999133	
	D 305	1SS133Y	DIODE	GJ871999133	
	D 307	1SS133Y	DIODE	GJ871999133	
	D 661	1SS133Y	DIODE	GJ871999133	
△	D 901	1N5401-M	SI DIODE	GJ871903152	
△	D 902	1N5401-M	SI DIODE	GJ871903152	
△	D 903	1N5401-M	SI DIODE	GJ871903152	
△	D 904	1N5401-M	SI DIODE	GJ871903152	
	D 905	1SS133Y	DIODE	GJ871999133	
	D 906	1SS133Y	DIODE	GJ871999133	
	D 907	1SS133Y	DIODE	GJ871999133	
	D 908	1SS133Y	DIODE	GJ871999133	
	D 909	1SS133Y	DIODE	GJ871999133	
	D 910	1SS133Y	DIODE	GJ871999133	
	D 911	1SS133Y	DIODE	GJ871999133	
	D 912	IN4001	DIODE	RECT 1N4001 BUL	
	D 914	1SS133Y	DIODE	GJ871999133	
	D 915	1SS133Y	DIODE	GJ871999133	
	D 917	1SS133Y	DIODE	GJ871999133	
	D 918	1SS133Y	DIODE	GJ871999133	
	D 995	1SS133Y	DIODE	GJ871999133	
	FC902	QNG0003-001Z	FUSE CLIP	GJ153321741	
	FC903	QNG0003-001Z	FUSE CLIP	GJ153321741	
	FC905	QNG0003-001Z	FUSE CLIP	GJ153321741	
	FC906	QNG0003-001Z	FUSE CLIP	GJ153321741	
	FW 1	GJ353170240107	CARD WIRE	CN304 TO CN701	
	FW 2	VWF1015-08TTA	CARD WIRE	CN304 TO CD	
	FW 3	GJ353130150107	CARD WIRE	CN303 TO CN703	
	IC 1	TA2104AN	IC	DIP 24 IF&MPX	
	IC 2	LC72136N	IC	PLL IC	
	IC301	TA2068N	IC	GJ313020121101	
△	IC302	LA4597K	IC	DIP POWER AMP	
	IC303	M62420SP-700	IC	GJ313060301112	
	IC304	BA15218N	IC	GJ313010021103	
	IC601	AN8806SB	IC	RF AMP	
	IC602	BA6897FP	IC	POWER DRIVER	
	IC603	MN35510	IC	1 CHIP PROCISSE	
△	J 9	QNC0043-001	AC SOCKET	125V 7A	
	J 301	GJ342010200113	JACK,	H/P MSJ2000 (BL	
	K 1	QQR0779-001Z	INDUCTOR	GJVQZ0048009	
	K 601	QQR0779-001Z	INDUCTOR	GJVQZ0048009	
	K 602	QQR0779-001Z	INDUCTOR	GJVQZ0048009	
	L 1	VQF1B20-019	OSC COIL	FM OSC	
	L 2	VQC1505-002L	RF COIL	FM RF	
	L 3	VQB008M-506	BAR ANTENA	GJVQB008M506	
	L 4	QQR0723-001	OSC COIL	AM OSC 7.5MM RE	
	L 7	VQP0018-221	INDUCTOR	220UH 10% Q40	
	L 10	QLL231K-4R7Y	INDUCTOR	4.7UH	
	L 12	V03047-16	RF COIL	SPRING CW	
	L 601	3A839N	INDUCTOR	10UH RADIAL LEA	

■ Electrical parts list (Main board)

Block No. 01

△	Item	Parts number	Parts name	Remarks	Area	△	Item	Parts number	Parts name	Remarks	Area
	L 602	GJ141033431	INDUCTOR	100UH 10% Q40			R 57	GJ250081022103	CARBON RESISTOR	1/6W J 1K	
	L 901	VQP0028-330Z	INDUCTOR	33UH EL0606RA			R 59	GJ250081022103	CARBON RESISTOR	1/6W J 1K	
	Q 1	2SC2668/O/T	TRANSISTOR	GJ312020351201			R 60	GJ250081022103	CARBON RESISTOR	1/6W J 1K	
	Q 101	2SC2001/LK/-T	TRANSISTOR	GJ872914247			R 61	GJ250081022103	CARBON RESISTOR	1/6W J 1K	
	Q 103	2SC3330/ST/-T	TRANSISTOR	GJ312030091201			R 63	GJ250084732103	CARBON RESISTOR	1/6W J 47K	
	Q 201	2SC2001/LK/-T	TRANSISTOR	GJ872914247			R 64	GJ250081022103	CARBON RESISTOR	1/6W J 1K	
	Q 203	2SC3330/ST/-T	TRANSISTOR	GJ312030091201			R 101	GJ250083022103	CARBON RESISTOR	1/6W J 3.0K	
	Q 302	KRA102M-T	D.TRANSISTOR	GJ872903715			R 102	GJ250081022103	CARBON RESISTOR	1/6W J 1K	
	Q 303	2SC2458/YG/-T	TRANSISTOR	GJ872923044			R 103	GJ250081822103	CARBON RESISTOR	1/6W J 1.8K	
	Q 304	2SA1015/YG/-T	TRANSISTOR	GJ872923115			R 104	GJ250083322103	CARBON RESISTOR	1/6W J 3.3K	
	Q 305	KRC102M-T	D.TRANSISTOR	GJ872903658			R 106	GJ250088232103	CARBON RESISTOR	1/6W J 82K	
	Q 306	8550C	TRANSISTOR	GJ312080042204			R 107	GJ250088202103	RES CF	1/6W J 82	
	Q 308	DTC143ES	TRANSISTOR	GJ872992166			R 108	GJ250081532103	CARBON RESISTOR	1/6W J 15K	
	Q 309	2SC2458/YG/-T	TRANSISTOR	GJ872923044			R 109	GJ250081822103	CARBON RESISTOR	1/6W J 1.8K	
	Q 310	DTC143ESA-T	TR I/M	GJ872902947			R 110	GJ250081822103	CARBON RESISTOR	1/6W J 1.8K	
	Q 311	2SC2001/LK/-T	TRANSISTOR	GJ872914247			R 111	GJ250085622103	CARBON RESISTOR	1/6W J 5.6K	
	Q 312	2SC2001/LK/-T	TRANSISTOR	GJ872914247			R 112	GJ250082242103	CARBON RESISTOR	1/6W J 220K	
	Q 313	2SC2001/LK/-T	TRANSISTOR	GJ872914247			R 113	GJ250082242103	CARBON RESISTOR	1/6W J 220K	
	Q 315	2SC2458/YG/-T	TRANSISTOR	GJ872923044			R 114	GJ250081532103	CARBON RESISTOR	1/6W J 15K	
	Q 316	2SA1015/YG/-T	TRANSISTOR	GJ872923115			R 116	GJ250081022103	CARBON RESISTOR	1/6W J 1K	
	Q 317	2SC2458/YG/-T	TRANSISTOR	GJ872923044			R 117	GJ250081032103	CARBON RESISTOR	1/6W J 10K	
	Q 318	DTC143ESA-T	TR I/M	GJ872902947			R 119	GJ250081042103	CARBON RESISTOR	1/6W J 100K	
	Q 601	2SA952/LK/-T	TRANSISTOR	GJ312090101202			R 120	GJ250081832103	CARBON RESISTOR	1/6W J 18K	
	Q 631	2SA952/LK/-T	TRANSISTOR	GJ312090101202			R 121	GJ250088202103	RES CF	1/6W J 82	
△	Q 901	2SB772/QP/	TRANSISTOR	GJ312070021102			R 122	GJ250082292103	C.RESISTOR	1/6W J 2.2	
	Q 902	2SC2458/YG/-T	TRANSISTOR	GJ872923044			R 123	GJ250081012103	CARBON RESISTOR	1/6W J 100	
△	Q 903	8550C	TRANSISTOR	GJ312080042204			R 124	GJ250082222103	CARBON RESISTOR	1/6W J 2.2K	
	Q 904	2SC2458/YG/-T	TRANSISTOR	GJ872923044			R 134	GJ250083922103	CARBON RESISTOR	1/6W J 3.9K	
△	Q 906	8550C	TRANSISTOR	GJ312080042204			R 136	GJ250082722103	CARBON RESISTOR	1/6W J 2.7K	
	Q 907	2SC2458/YG/-T	TRANSISTOR	GJ872923044			R 137	GJ250086822103	CARBON RESISTOR	1/6W J 6.8K	
△	Q 908	2SB772/QP/	TRANSISTOR	GJ312070021102			R 201	GJ250083022103	CARBON RESISTOR	1/6W J 3.0K	
	Q 909	2SC2458/YG/-T	TRANSISTOR	GJ872923044			R 202	GJ250081022103	CARBON RESISTOR	1/6W J 1K	
	Q 911	2SC2458/YG/-T	TRANSISTOR	GJ872923044			R 203	GJ250081822103	CARBON RESISTOR	1/6W J 1.8K	
	R 1	GJ250081042103	CARBON RESISTOR	1/6W J 100K			R 204	GJ250083322103	CARBON RESISTOR	1/6W J 3.3K	
	R 2	GJ250084732103	CARBON RESISTOR	1/6W J 47K			R 206	GJ250088232103	CARBON RESISTOR	1/6W J 82K	
	R 3	GJ250082702103	CARBON RESISTOR	1/6W J 27			R 207	GJ250088202103	RES CF	1/6W J 82	
	R 4	GJ250084732103	CARBON RESISTOR	1/6W J 47K			R 208	GJ250081532103	CARBON RESISTOR	1/6W J 15K	
	R 7	GJ250081042103	CARBON RESISTOR	1/6W J 100K			R 209	GJ250081822103	CARBON RESISTOR	1/6W J 1.8K	
	R 9	GJ250084722103	CARBON RESISTOR	1/6W J 4.7K			R 210	GJ250081822103	CARBON RESISTOR	1/6W J 1.8K	
	R 13	GJ250081042103	CARBON RESISTOR	1/6W J 100K			R 211	GJ250085622103	CARBON RESISTOR	1/6W J 5.6K	
	R 18	GJ250081022103	CARBON RESISTOR	1/6W J 1K			R 212	GJ250082242103	CARBON RESISTOR	1/6W J 220K	
	R 20	GJ250081022103	CARBON RESISTOR	1/6W J 1K			R 213	GJ250082242103	CARBON RESISTOR	1/6W J 220K	
	R 24	GJ250086812103	CARBON RESISTOR	1/6W J 680			R 214	GJ250081532103	CARBON RESISTOR	1/6W J 15K	
	R 25	GJ250081022103	CARBON RESISTOR	1/6W J 1K			R 216	GJ250081022103	CARBON RESISTOR	1/6W J 1K	
	R 30	GJ250081832103	CARBON RESISTOR	1/6W J 18K			R 217	GJ250081032103	CARBON RESISTOR	1/6W J 10K	
	R 31	GJ250081042103	CARBON RESISTOR	1/6W J 100K			R 219	GJ250081042103	CARBON RESISTOR	1/6W J 100K	
	R 32	GJ250083322103	CARBON RESISTOR	1/6W J 3.3K			R 220	GJ250081832103	CARBON RESISTOR	1/6W J 18K	
	R 33	GJ250083312103	CARBON RESISTOR	1/6W J 330			R 221	GJ250088202103	RES CF	1/6W J 82	
	R 35	GJ250082732103	CARBON RESISTOR	1/6W J 27K			R 222	GJ250082292103	C.RESISTOR	1/6W J 2.2	
	R 36	GJ250082732103	CARBON RESISTOR	1/6W J 27K			R 223	GJ250081012103	CARBON RESISTOR	1/6W J 100	
	R 37	GJ250085602103	CARBON RESISTOR	1/6W J 56			R 224	GJ250082222103	CARBON RESISTOR	1/6W J 2.2K	
	R 38	GJ250081012103	CARBON RESISTOR	1/6W J 100			R 234	GJ250083922103	CARBON RESISTOR	1/6W J 3.9K	
	R 39	GJ250081212103	CF RESISTOR	1/6W J 120			R 236	GJ250082722103	CARBON RESISTOR	1/6W J 2.7K	
	R 42	GJ250084732103	CARBON RESISTOR	1/6W J 47K			R 237	GJ250086822103	CARBON RESISTOR	1/6W J 6.8K	
	R 44	GJ250082222103	CARBON RESISTOR	1/6W J 2.2K			R 302	GJ250081032103	CARBON RESISTOR	1/6W J 10K	
	R 47	GJ250082202103	CARBON RESISTOR	1/6W J 22			R 303	GJ250084752103	RES CF	1/6W J 4.7M	
	R 48	GJ250081022103	CARBON RESISTOR	1/6W J 1K			R 304	GJ250081032103	CARBON RESISTOR	1/6W J 10K	
	R 49	GJ250081832103	CARBON RESISTOR	1/6W J 18K			R 305	GJ250081822103	CARBON RESISTOR	1/6W J 1.8K	
	R 50	GJ250081832103	CARBON RESISTOR	1/6W J 18K			R 306	GJ250081822103	CARBON RESISTOR	1/6W J 1.8K	
	R 52	GJ250081032103	CARBON RESISTOR	1/6W J 10K			R 307	GJ250083322103	CARBON RESISTOR	1/6W J 3.3K	
	R 54	GJ250082222103	CARBON RESISTOR	1/6W J 2.2K			R 308	GJ250085622103	CARBON RESISTOR	1/6W J 5.6K	
	R 55	GJ250082222103	CARBON RESISTOR	1/6W J 2.2K			R 309	GJ250085622103	CARBON RESISTOR	1/6W J 5.6K	
	R 56	GJ250083322103	CARBON RESISTOR	1/6W J 3.3K			R 310	GJ250081232103	CARBON RESISTOR	1/6W J 12K	

■ Electrical parts list (Main board)

Block No. 01

△	Item	Parts number	Parts name	Remarks	Area
	R 311	GJ250081012103	CARBON RESISTOR	1/6W J 100	
	R 312	GJ250084312103	C.RESISTOR	1/6W J 430	
	R 313	GJ250081202103	C.RESISTOR	1/6W J 12	
△	R 315	GJ250081012103	CARBON RESISTOR	1/6W J 100	
	R 316	GJ250083322103	CARBON RESISTOR	1/6W J 3.3K	
	R 317	GJ250081032103	CARBON RESISTOR	1/6W J 10K	
	R 318	GJ250081012103	CARBON RESISTOR	1/6W J 100	
△	R 319	GJ250081012103	CARBON RESISTOR	1/6W J 100	
	R 320	GJ250085622103	CARBON RESISTOR	1/6W J 5.6K	
	R 321	GJ250085622103	CARBON RESISTOR	1/6W J 5.6K	
	R 322	GJ250081042103	CARBON RESISTOR	1/6W J 100K	
	R 323	GJ250082222103	CARBON RESISTOR	1/6W J 2.2K	
	R 327	GJ250086822103	CARBON RESISTOR	1/6W J 6.8K	
	R 328	GJ250081032103	CARBON RESISTOR	1/6W J 10K	
	R 329	GJ250084722103	CARBON RESISTOR	1/6W J 4.7K	
	R 330	GJ250084722103	CARBON RESISTOR	1/6W J 4.7K	
	R 331	GJ250081012103	CARBON RESISTOR	1/6W J 100	
	R 332	GJ250081032103	CARBON RESISTOR	1/6W J 10K	
	R 356	GJ250081032103	CARBON RESISTOR	1/6W J 10K	
	R 360	GJ250081032103	CARBON RESISTOR	1/6W J 10K	
	R 361	GJ250084742103	CARBON RESISTOR	1/6W J 470K	
	R 371	GJ250081032103	CARBON RESISTOR	1/6W J 10K	
	R 372	GJ250083322103	CARBON RESISTOR	1/6W J 3.3K	
	R 373	GJ250081012103	CARBON RESISTOR	1/6W J 100	
	R 374	GJ250081042103	CARBON RESISTOR	1/6W J 100K	
	R 601	GJ250081132103	CARBON RESISTOR	CF 1/6W J 11K	
	R 603	GJ250081252103	FUSE RESISTOR	1/6W J 1.2M	
	R 605	GJ250082742103	CARBON RESISTOR	1/6W J 270K	
	R 606	GJ250081542103	CARBON RESISTOR	1/6W J 150K	
	R 607	GJ250082732103	CARBON RESISTOR	1/6W J 27K	
	R 609	GJ250081042103	CARBON RESISTOR	1/6W J 100K	
	R 610	GJ250081542103	CARBON RESISTOR	1/6W J 150K	
	R 612	GJ250081022103	CARBON RESISTOR	1/6W J 1K	
	R 613	GJ250081212103	CF RESISTOR	1/6W J 120	
	R 614	GJ250081002103	CARBON RESISTOR	1/6W J 10	
	R 615	GJ250081202103	C.RESISTOR	1/6W J 12	
	R 616	GJ250089102103	CARBON RESISTOR	1/6W J 91	
	R 621	GJ250083302103	CARBON RESISTOR	1/6W J 33	
	R 622	GJ250083302103	CARBON RESISTOR	1/6W J 33	
	R 623	GJ250083302103	CARBON RESISTOR	1/6W J 33	
	R 631	GJ250083312103	CARBON RESISTOR	1/6W J 330	
	R 632	GJ250081012103	CARBON RESISTOR	1/6W J 100	
	R 633	GJ250082732103	CARBON RESISTOR	1/6W J 27K	
	R 641	GJ250085632103	CARBON RESISTOR	1/6W J 56K	
	R 642	GJ250081232103	CARBON RESISTOR	1/6W J 12K	
	R 643	GJ250088222103	CARBON RESISTOR	1/6W J 8.2K	
	R 644	GJ250082232103	CARBON RESISTOR	1/6W J 22K	
	R 645	GJ250082232103	CARBON RESISTOR	1/6W J 22K	
	R 646	GJ250082222103	CARBON RESISTOR	1/6W J 2.2K	
	R 647	GJ250084722103	CARBON RESISTOR	1/6W J 4.7K	
	R 651	GJ250081022103	CARBON RESISTOR	1/6W J 1K	
	R 652	GJ250081022103	CARBON RESISTOR	1/6W J 1K	
	R 653	GJ250081022103	CARBON RESISTOR	1/6W J 1K	
	R 654	GJ250081022103	CARBON RESISTOR	1/6W J 1K	
	R 659	GJ250082712103	CARBON RESISTOR	1/6W J 270	
	R 661	GJ250086832103	CF RESISTOR	1/6W J 68K	
	R 663	GJ250081242103	CARBON RESISTOR	1/6W J 120K	
	R 664	GJ250084712103	CARBON RESISTOR	1/6W J 470	
	R 666	GJ250082202103	CARBON RESISTOR	1/6W J 22	
	R 671	GJ250081022103	CARBON RESISTOR	1/6W J 1K	
	R 672	GJ250081022103	CARBON RESISTOR	1/6W J 1K	
	R 696	GJ250082222103	CARBON RESISTOR	1/6W J 2.2K	
	R 697	GJ250084742103	CARBON RESISTOR	1/6W J 470K	

△	Item	Parts number	Parts name	Remarks	Area
	R 901	GJ250084722103	CARBON RESISTOR	1/6W J 4.7K	
	R 902	GJ250085632103	CARBON RESISTOR	1/6W J 56K	
	R 903	GJ250081012103	CARBON RESISTOR	1/6W J 100	
	R 904	GJ250088212103	CARBON RESISTOR	1/6W J 820	
	R 906	GJ250085632103	CARBON RESISTOR	1/6W J 56K	
	R 907	GJ250081022103	CARBON RESISTOR	1/6W J 1K	
	R 908	GJ250083322103	CARBON RESISTOR	1/6W J 3.3K	
	R 909	GJ250081022103	CARBON RESISTOR	1/6W J 1K	
	R 910	GJ250081042103	CARBON RESISTOR	1/6W J 100K	
	R 911	GJ250084722103	CARBON RESISTOR	1/6W J 4.7K	
	R 912	GJ250081022103	CARBON RESISTOR	1/6W J 1K	
	R 913	GJ250085622103	CARBON RESISTOR	1/6W J 5.6K	
△	R 914	QPZ0077-4R7X	RESISTOR	1/4W J 4.7	
	R 915	GJ250081012103	CARBON RESISTOR	1/6W J 100	
	R 916	GJ250088212103	CARBON RESISTOR	1/6W J 820	
	R 917	GJ250082202103	CARBON RESISTOR	1/6W J 22	
	R 919	GJ250085632103	CARBON RESISTOR	1/6W J 56K	
	R 920	GJ250084722103	CARBON RESISTOR	1/6W J 4.7K	
	R 922	GJ250081032103	CARBON RESISTOR	1/6W J 10K	
	R 998	GJ251273352201	C RESISTOR	3.3M 5% W/UL&CS	
	R 999	GJ250083312103	CARBON RESISTOR	1/6W J 330	
	S 301	GJ390140041114	LEAF SWITCH	MSW-17820MVD0	
	S 303	SK-23E01-G9	SLIDE SWITCH	SLIDE SIDE	
	T 2	GJ123388511	IFT	7MM BLACK	
△	T 9	GJ336570400003	POWER TRANS.	EI-57 AC120V	
	T 301	OH-812320	BIAS OSC COIL	GJ321000140101	
	TC 2	QAT3722-200ZM	T CAPACITOR	TRIMMER 20PF EC	
	TP 2	VMZ0015-002	POST PIN	GJ156418711	
	WR 1	GJ354003940105	WIRE	CN308 TO DECK	
	WR 2	GJ354003960205	WIRE	POWER TO BATT.	
	WR 3	GJ354003980205	WIRE	CN309 TO SPEAKE	
	WR 4	GJ354003990405	WIRE	FW301 TO POWER	
	WR 5	GJ354004000105	WIRE	CN301 TO HEAD	
	WR 6	GJ354004020105	WIRE	CN602 TO CD MEC	
	X 1	QAX0402-001	CRYSTAL	75KHZ +/-20PPM	
	X 651	QAX0369-001Z	CERA LOCK	16.9344MHZ	
	ZD 1	MTZJ3.0JB	DIODE	GJ871998307	
	ZD302	UZ4.3BSB-T2	ZENER DIODE	GJ310030014405	
	ZD903	MTZJ6.2B-T2	ZENER DIODE	GJ871992342	
	ZD904	MTZJ5.6JB	ZENER DIODE	GJ310030011305	
	ZD905	MTZJ7.5C-T2	ZENER DIODE	GJ310030015005	

■ Electrical parts list (System CPU board)

Block No. 02

△	Item	Parts number	Parts name	Remarks	Area	△	Item	Parts number	Parts name	Remarks	Area
	C 702	GJ116323691	C.CAPACITOR	24PF CH 2012 5%			R 709	GJ121608191	C.RESISTOR	22K 1/10W 5%	
	C 703	GJ116324091	C.CAPACITOR	36PF CH 2012 5%			R 710	GJ121609791	C.RESISTOR	100K 1/10W 5%	
	C 704	GJ116324091	C.CAPACITOR	36PF CH 2012 5%			R 711	GJ121608191	C.RESISTOR	22K 1/10W 5%	
	C 705	GJ116323691	C.CAPACITOR	24PF CH 2012 5%			R 712	GJ121607391	C.RESISTOR	10K 1/10W 5%	
	C 706	GJ116300991	C.CAPASISTOR	1000PF B 2012 1			R 713	GJ121607391	C.RESISTOR	10K 1/10W 5%	
	C 707	GJ116303891	C.CAPACITOR	10000PF F 2012			R 714	GJ121608791	C.RESISTOR	39K 1/10W 5%	
	C 708	GJ270112270332	E.CAPACITOR	10V M 220UF			R 715	GJ121608591	C.RESISTOR	33K 1/10W 5%	
	C 710	GJ116302191	C.CAPASISTOR	10000PF B 2012			R 716	GJ121608991	C.RESISTOR	47K 1/10W 5%	
	C 711	GJ112423391	E.CAPACITOR	16V M 10UF			R 717	GJ121608591	C.RESISTOR	33K 1/10W 5%	
	C 712	GJ112425791	E.CAPACITOR	50V M 2.2UF			R 718	GJ121607391	C.RESISTOR	10K 1/10W 5%	
	C 714	GJ116312191	C.CAPACITOR	150PF SL 2012 5			R 719	GJ121609791	C.RESISTOR	100K 1/10W 5%	
	C 716	GJ116312191	C.CAPACITOR	150PF SL 2012 5			R 720	GJ121609791	C.RESISTOR	100K 1/10W 5%	
	C 717	GJ116310191	C.CAPACITOR	22PF SL 2012 5%			R 721	GJ121605791	C.RESISTOR	2.2K 1/10W 5%	
	C 718	GJ116323791	C.CAPACITOR	27PF CH 2012 5%			R 722	GJ121609791	C.RESISTOR	100K 1/10W 5%	
	C 719	GJ116300991	C.CAPASISTOR	1000PF B 2012 1			R 723	GJ121607391	C.RESISTOR	10K 1/10W 5%	
	C 720	GJ116300991	C.CAPASISTOR	1000PF B 2012 1			R 724	GJ121605791	C.RESISTOR	2.2K 1/10W 5%	
	C 721	GJ116302191	C.CAPASISTOR	10000PF B 2012			R 725	GJ121605791	C.RESISTOR	2.2K 1/10W 5%	
	C 722	GJ116311791	C.CAPACITOR	100PF SL 2012 5			R 726	GJ121605791	C.RESISTOR	2.2K 1/10W 5%	
	C 723	GJ116311791	C.CAPACITOR	100PF SL 2012 5			R 727	GJ121605791	C.RESISTOR	2.2K 1/10W 5%	
	C 724	GJ116311791	C.CAPACITOR	100PF SL 2012 5			R 728	GJ121607391	C.RESISTOR	10K 1/10W 5%	
	C 725	GJ116311791	C.CAPACITOR	100PF SL 2012 5			R 729	GJ121608991	C.RESISTOR	47K 1/10W 5%	
	C 727	GJ112678591	E.CAPACITOR	10V M 47UF			R 730	GJ121607391	C.RESISTOR	10K 1/10W 5%	
	C 732	GJ116303891	C.CAPACITOR	10000PF F 2012			R 731	GJ121604991	C.RESISTOR	1K 1/10W 5%	
	C 738	GJ116312191	C.CAPACITOR	150PF SL 2012 5			R 732	GJ121609791	C.RESISTOR	100K 1/10W 5%	
	C 801	GJ116302191	C.CAPASISTOR	10000PF B 2012			R 733	GJ121609791	C.RESISTOR	100K 1/10W 5%	
	C 802	GJ116302191	C.CAPASISTOR	10000PF B 2012			R 734	GJ121609791	C.RESISTOR	100K 1/10W 5%	
	CN701	QGF1212F1-17	FFC/FPC CONNE	17PINS			R 735	GJ121607391	C.RESISTOR	10K 1/10W 5%	
	CN703	QGF1212F1-13	FFC/FPC CONNE	13PINS			R 737	GJ121607391	C.RESISTOR	10K 1/10W 5%	
	CN704	GJ156451711	CONNECTOR	TIP-X02P-M1			R 738	GJ121607391	C.RESISTOR	10K 1/10W 5%	
	D 702	1SS133Y	DIODE	GJ871999133			R 739	GJ121608191	C.RESISTOR	22K 1/10W 5%	
	D 703	UZ5.1BSC-T2	ZENER DIODE	GJ310030011405			R 740	GJ121607391	C.RESISTOR	10K 1/10W 5%	
	D 704	1SS133Y	DIODE	GJ871999133			R 742	GJ121605791	C.RESISTOR	2.2K 1/10W 5%	
	D 706	1SS133Y	DIODE	GJ871999133			R 746	GJ121608191	C.RESISTOR	22K 1/10W 5%	
	D 707	1SS133Y	DIODE	GJ871999133			R 748	GJ121608191	C.RESISTOR	22K 1/10W 5%	
	D 708	1SS133Y	DIODE	GJ871999133			R 749	GJ121608991	C.RESISTOR	47K 1/10W 5%	
	D 851	LT0311G-41	LED GREEN STAND	STAND BY/RED CO			R 750	GJ121607391	C.RESISTOR	10K 1/10W 5%	
	D 852	LT0321-41	ON LED RTP	ON /GREEN COLOR			R 751	GJ121607391	C.RESISTOR	10K 1/10W 5%	
	DI701	QLD0045-001	LCD	GJ373010272210			R 752	GJ121607391	C.RESISTOR	10K 1/10W 5%	
	IC701	GJ313010671223	IC	MICOM			R 753	GJ121605791	C.RESISTOR	2.2K 1/10W 5%	
	IC703	GP1U281X	IC	REMOTE SENSOR			R 754	GJ121607391	C.RESISTOR	10K 1/10W 5%	
	JS801	QSW0706-001	ROTARY ENCODER	GJ299000480002			R 755	GJ121607391	C.RESISTOR	10K 1/10W 5%	
	K 701	QQR0779-001Z	INDUCTOR	GJVQZ0048009			R 756	GJ121608191	C.RESISTOR	22K 1/10W 5%	
	K 702	QQR0779-001Z	INDUCTOR	GJVQZ0048009			R 758	GJ121605791	C.RESISTOR	2.2K 1/10W 5%	
	K 703	QQR0779-001Z	INDUCTOR	GJVQZ0048009			R 759	GJ121604991	C.RESISTOR	1K 1/10W 5%	
	L 701	3A839N	INDUCTOR	10UH			R 760	GJ121604991	C.RESISTOR	1K 1/10W 5%	
	L 702	3A839N	INDUCTOR	10UH			R 761	GJ121605791	C.RESISTOR	2.2K 1/10W 5%	
	PL701	QLL0051-001	LAMP	8V 105MA T3.4 (R 762	GJ121605791	C.RESISTOR	2.2K 1/10W 5%	
	Q 701	2SC2714/O/-X	TRANSISTOR	GJ312020341203			R 763	GJ121605791	C.RESISTOR	2.2K 1/10W 5%	
	Q 702	2SC2714/O/-X	TRANSISTOR	GJ312020341203			R 767	GJ121606591	C.RESISTOR	4.7K 1/10W 5%	
	Q 703	2SC2412K/R/-X	TRANSISTOR	GJ872992075			R 768	GJ121607391	C.RESISTOR	10K 1/10W 5%	
	Q 704	DTC144EKA-X	TRANSISTOR	GJ872902759			R 769	GJ121607391	C.RESISTOR	10K 1/10W 5%	
	Q 705	2SA1037AK/RS/-X	TRANSISTOR	GJ872902649			R 770	GJ121605791	C.RESISTOR	2.2K 1/10W 5%	
	Q 706	DTC143TKA-X	DIGI TRANSISTOR	GJ872902756			R 772	GJ121604991	C.RESISTOR	1K 1/10W 5%	
	Q 709	2SC2412K/R/-X	TRANSISTOR	GJ872992075			R 773	GJ121607391	C.RESISTOR	10K 1/10W 5%	
	Q 851	2SA1037AK/RS/-X	TRANSISTOR	GJ872902649			R 774	GJ121604991	C.RESISTOR	1K 1/10W 5%	
	Q 852	2SC2412K/R/-X	TRANSISTOR	GJ872992075			R 775	GJ121604991	C.RESISTOR	1K 1/10W 5%	
	R 701	GJ121604991	C.RESISTOR	1K 1/10W 5%			R 776	GJ121604991	C.RESISTOR	1K 1/10W 5%	
	R 702	GJ121607191	C.RESISTOR	8.2K 1/10W 5%			R 777	GJ121604991	C.RESISTOR	1K 1/10W 5%	
	R 703	GJ121607191	C.RESISTOR	8.2K 1/10W 5%			R 778	GJ121604991	C.RESISTOR	1K 1/10W 5%	
	R 704	GJ121604991	C.RESISTOR	1K 1/10W 5%			R 779	GJ121604991	C.RESISTOR	1K 1/10W 5%	
	R 706	GJ121607391	C.RESISTOR	10K 1/10W 5%			R 785	GJ121605791	C.RESISTOR	2.2K 1/10W 5%	
	R 707	GJ121607391	C.RESISTOR	10K 1/10W 5%			R 790	GJ121606591	C.RESISTOR	4.7K 1/10W 5%	
	R 708	GJ121607391	C.RESISTOR	10K 1/10W 5%			R 796	GJ121609791	C.RESISTOR	100K 1/10W 5%	

■ Electrical parts list (System CPU board)

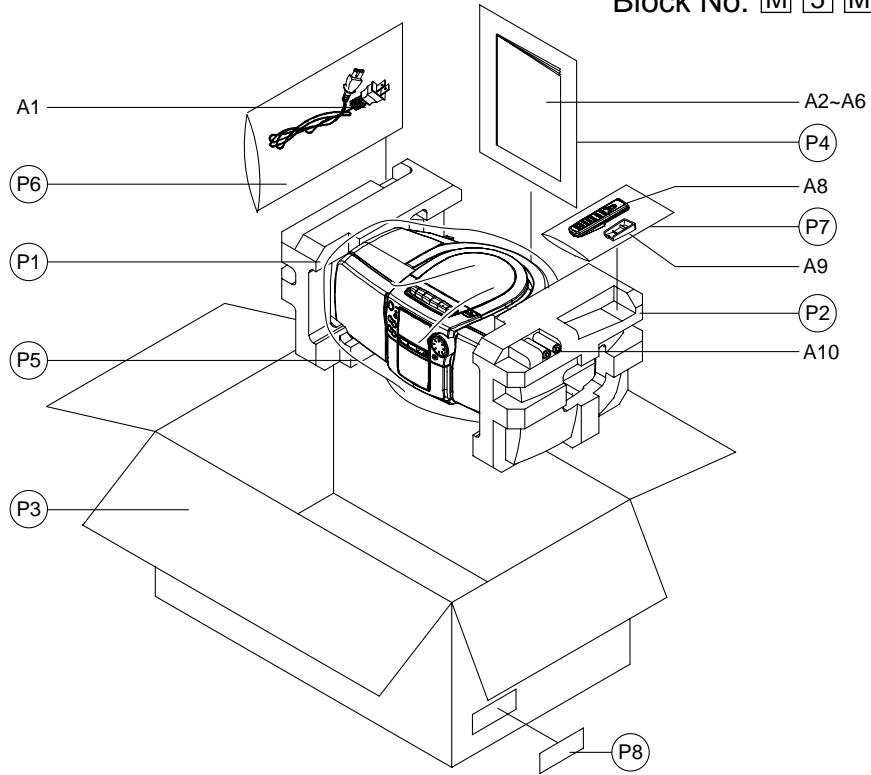
Block No. 02

△	Item	Parts number	Parts name	Remarks	Area
	R 797	GJ121606591	C.RESISTOR	4.7K 1/10W 5%	
	R 851	GJ121605391	C.RESISTOR	1.5K 1/10W 5%	
	R 852	GJ121605591	C.RESISTOR	1.8K 1/10W 5%	
	R 853	GJ121605991	C.RESISTOR	2.7K 1/10W 5%	
	R 854	GJ121606391	C.RESISTOR	3.9K 1/10W 5%	
	R 855	GJ121606991	C.RESISTOR	6.8K 1/10W 5%	
	R 856	GJ121607591	C.RESISTOR	12K 1/10W 5%	
	R 857	GJ121608791	C.RESISTOR	39K 1/10W 5%	
	R 858	GJ121606791	C.RESISTOR	5.6K 1/10W 5%	
	R 859	GJ121607991	C.RESISTOR	18K 1/10W 5%	
	R 860	GJ121603791	C.RESISTOR	330 1/10W 5%	
	R 861	GJ121604591	C.RESISTOR	680 1/10W 5%	
	R 862	GJ121607391	C.RESISTOR	10K 1/10W 5%	
	R 864	GJ121606791	C.RESISTOR	5.6K 1/10W 5%	
	R 865	GJ121605791	C.RESISTOR	2.2K 1/10W 5%	
	S 851	QSW0707-001Z	TACT SWITCH	GJ390110171110	
	S 852	QSW0707-001Z	TACT SWITCH	GJ390110171110	
	S 853	QSW0707-001Z	TACT SWITCH	GJ390110171110	
	S 854	QSW0707-001Z	TACT SWITCH	GJ390110171110	
	S 855	QSW0707-001Z	TACT SWITCH	GJ390110171110	
	S 856	QSW0707-001Z	TACT SWITCH	GJ390110171110	
	S 857	QSW0707-001Z	TACT SWITCH	GJ390110171110	
	S 858	QSW0707-001Z	TACT SWITCH	GJ390110171110	
	S 865	QSW0707-001Z	TACT SWITCH	GJ390110171110	
	S 866	PS-22F23-A3.3NS	PUSH SWITCH	GJ390030152203	
	WR701	GJ354004030205	WIRE	CN704 TO CD DOR	
	X 701	QAX0410-001Z	CERA LOCK	MIZCRHF 4.19MHZ	
	X 702	QAX0401-001	CRYSTAL	32.768KHZ	

Packing materials and accessories parts list

Block No. M 4 M M

Block No. M 5 M M



■ Packing parts list

Block No. M4MM

⚠	Item	Parts number	Parts name	Q'ty	Description	Area
	P 1	GJ560340040101	CUSHION (L)	1		
	P 2	GJ560340050101	CUSHION (R)	1		
	P 3	GJ560340030101	CARTON WALL	1		
	P 4	QPA02503503P	POLY BAG	1	250 X 350	
	P 5	GJ740456520300	POLYBAG PE	1	450 X 650	
	P 6	QPA01503503	POLY BAG	1	150 X 350	
	P 7	QPA01202505	POLY BAG	1	120 X 250	
	P 8	LV30189-001A	CARTON LABEL	1		

■ Accessories parts list

Block No. M5MM

⚠	Item	Parts number	Parts name	Q'ty	Description	Area
⚠	A 1	GJ350161831129	POWER CORD	1	7A 120V 1.80M	
	A 2	GJ773012130101	INSTRUCTIOS	1	ENG SPA FRE	J,C
	A 3	BT-20044G	ACC SAFETY GUID	1	GJ775000140101	J,C
	A 4	GJ775000200202	SERVICE LIST	1		J,C
	A 5	GJ775000340101	SVC CENTER LIST	1		J,C
	A 6	GJ773030190302	WARRANTY CARD	1		J
	A 8	GJA1002015001C	REMOCON UNIT	1		
	A 9	GJ460340320102	COVER BATTERY	1	REMOTE CONTROL	